



**Zebra® XiIIIPlus™**  
High-Performance Printer

---

**User Guide**



© 2004 ZIH Corp.

The copyrights in this manual and the label printer described therein are owned by Zebra Technologies. Unauthorized reproduction of this manual or the software in the label printer may result in imprisonment of up to one year and fines of up to \$10,000 (17 U.S.C.506). Copyright violators may be subject to civil liability.

All product names and numbers are Zebra trademarks, and Zebra, the Zebra logo, ZPL, ZPL II, ZebraNet, ZebraLink, are registered trademarks of ZIH Corp. All rights reserved.

All other brand names, product names, or trademarks belong to their respective holders.

**Customer Order # 13383L-001**

**Manufacturer Part # 13383L-001 Rev. 1**

# DECLARATION OF CONFORMITY

I have determined that the Zebra printers identified as the

*XiIIIPlus* Series  
90*XiIIIPlus*, 96*XiIIIPlus*, 110*XiIIIPlus*,  
140*XiIIIPlus*, 170*XiIIIPlus*, 220*XiIIIPlus*

manufactured by:

**Zebra Technologies**  
333 Corporate Woods Parkway  
Vernon Hills, Illinois 60061-3109 U.S.A.

Have been shown to comply with the applicable technical standards of the FCC

For Home, Office, Commercial, and industrial use

If no unauthorized changed is made in the equipment,  
and if the equipment is properly maintained and operated.

  
\_\_\_\_\_



---

# Contents



<b>Proprietary Statement</b> .....	<b>v</b>
<b>Warranty Information</b> .....	<b>vii</b>
<b>Printer Software and Firmware License Agreement</b> .....	<b>xi</b>
<b>Preface</b> .....	<b>xvii</b>
Contacts .....	xviii
Support .....	xviii
Document Conventions .....	xix
Related Documents .....	xx
<b>1 • Introduction</b> .....	<b>1</b>
Exterior View .....	2
Front Panel .....	3
Front Panel Buttons .....	4
Front Panel Lights .....	5
Printer Components .....	6
<b>2 • Printer Setup</b> .....	<b>7</b>
Before You Begin .....	8
Unpack and Inspect the Printer .....	9
Report Shipping Damage .....	9
Store or Reship the Printer .....	9
Select a Site for the Printer .....	10
Select a Surface .....	10
Provide Proper Operating Conditions .....	10
Allow Proper Space .....	10
Provide a Data Source .....	10

Connect the Printer to a Power Source .....	11
Power Cord Specifications .....	11
Select a Communication Interface .....	12
Data Cable Requirements .....	13
Types of Media .....	14
Selecting Media .....	14
Non-Continuous Media .....	15
Continuous Media .....	15
Ribbon .....	16
When to Use Ribbon .....	16
Ribbon Width .....	16
Coated Side of Ribbon .....	16
<b>3 • Printer Operation .....</b>	<b>19</b>
Load the Printer .....	20
Load Roll Media .....	20
Load Fanfold Media .....	22
Load Ribbon .....	24
Remove Used Ribbon .....	28
Print a Printer Configuration Label .....	29
Print a Network Configuration Label .....	31
Calibrate the Printer .....	32
Adjust and Calibrate Sensors .....	33
Media and Ribbon Sensor Calibration .....	33
Transmissive (Media) Sensors .....	35
Adjust Printhead Pressure and Toggle Position .....	37
Toggle Position Adjustment .....	37
Printhead Pressure Adjustment .....	37
<b>4 • Print Modes and Options .....</b>	<b>39</b>
RFID-Ready Capability .....	40
XML-Enabled Printing .....	40
Print Modes .....	41
Tear-Off Mode .....	41
Peel-Off Mode .....	42
Cutter Mode .....	44
Rewind Mode .....	46
Rewind Mode with Cutter Option .....	49
Remove Backing or Labels from Rewind Spindle .....	51

<b>5 • Front Panel Controls</b> .....	<b>53</b>
Overview .....	54
Enter Setup Mode .....	54
Exit Setup Mode .....	55
Password-Protected Parameters .....	56
Default Password Value .....	56
Disable the Password Protection Feature .....	56
Front Panel LCD .....	57
ZebraNet <sup>®</sup> Wired and Wireless Print Server LCD Displays .....	73
<b>6 • Data Ports</b> .....	<b>75</b>
Parallel Port .....	76
Serial Port .....	78
Serial Pin Configuration .....	79
RS-232 Interface Connections .....	80
RS-422/RS-485 Interconnections .....	82
USB 2.0 Port .....	83
<b>7 • Memory Cards</b> .....	<b>85</b>
PCMCIA Memory Card .....	86
CompactFlash Card .....	88
<b>8 • Routine Maintenance</b> .....	<b>91</b>
Cleaning Schedule .....	92
Clean Exterior .....	92
Clean Interior .....	93
Printhead and Platen Roller .....	93
Sensors .....	95
Snap Plate .....	97
Cutter .....	99
Replace Fuse .....	100
<b>9 • Troubleshooting</b> .....	<b>103</b>
Troubleshooting .....	104
LCD Error Messages .....	105
Print Quality Problems .....	109
Communications Problems .....	111
Printer Diagnostics .....	113
Power-On Self Test .....	113
Additional Printer Self Tests .....	113
Communications Diagnostics Test .....	117
Additional Printer Diagnostics .....	117

- A • Specifications ..... 119**
  - Features ..... 120
    - Standard Features ..... 120
    - Print Modes ..... 120
    - Zebra Programming Language (ZPL II®) ..... 120
    - Bar Codes ..... 121
    - Agency Approvals for All Printers ..... 121
    - Compliance for All Printers ..... 121
  - General Specifications ..... 122
    - Electrical Specifications ..... 122
    - Environmental Conditions for Operation and Storage ..... 123
  - Print Specifications by Model ..... 124
  - Ribbon Specifications by Model ..... 126
  - Label Specifications ..... 128
    - 110*XIIIPlus* Printers ..... 128
    - 90*XIIIPlus*, 96*XIIIPlus*, 140*XIIIPlus*, 170*XIIIPlus*, and 220*XIIIPlus* Printers ..... 130
- Index ..... 133**



---

# Proprietary Statement



This manual contains proprietary information of Zebra Technologies Corporation and its subsidiaries (“Zebra Technologies”). It is intended solely for the information and use of parties operating and maintaining the equipment described herein. Such proprietary information may not be used, reproduced, or disclosed to any other parties for any other purpose without the expressed written permission of Zebra Technologies.

## Product Improvements

Continuous improvement of products is a policy of Zebra Technologies. All specifications and designs are subject to change without notice.

## FCC Compliance Statement

This device complies with Part 15 rules. Operation is subject to the following two conditions:

1. This device may not cause harmful interference, and
2. This device must accept any interference received, including interference that may cause undesired operation.

This equipment has been tested and found to comply with the limits for Class B Digital Devices, pursuant to Part 15 of the FCC Rules. These limits are designed to provide reasonable protection against harmful interference when the equipment is operated in a residential environment. This equipment generates, uses, and can radiate radio frequency energy and, if not installed and used in accordance with the product manuals, may cause harmful interference to radio communications. However, there is no guarantee that interference will not occur in a particular installation. If this equipment does cause harmful interference to radio or television reception, the user is encouraged to do one or more of the following measures:

- Reorient or relocate the receiving antenna.
- Increase the separation between the equipment and receiver.
- Connect the equipment into an outlet on a circuit different from that to which the receiver is connected.
- Consult the dealer or an experienced radio/TV technician for help.

The user is cautioned that any changes or modifications not expressly approved by Zebra Technologies could void the user's authority to operate the equipment. To ensure compliance, this printer must be used with Shielded Communication Cables.

## **Canadian DOC Compliance Statement**

This Class B digital apparatus complies with Canadian ICES-003.

Cet appareil numérique de la classe B est conforme à la norme NMB-003 du Canada.

## **Liability Disclaimer**

Zebra Technologies takes steps to ensure that its published Engineering specifications and manuals are correct; however, errors do occur. Zebra Technologies reserves the right to correct any such errors and disclaims liability resulting therefrom.

## **Limitation of Liability**

In no event shall Zebra Technologies or anyone else involved in the creation, production, or delivery of the accompanying product (including hardware and software) be liable for any damages whatsoever (including, without limitation, consequential damages including loss of business profits, business interruption, or loss of business information) arising out of the use of, the results of use of, or inability to use such product, even if Zebra Technologies has been advised of the possibility of such damages. Some jurisdictions do not allow the exclusion or limitation of incidental or consequential damages, so the above limitation or exclusion may not apply to you.

---

# Warranty Information



## Effective December 30, 2002

All new Zebra products are warranted by the manufacturer to be free from defect in material and workmanship.

## Printers and Related Hardware Products

Proof of purchase or shipment date is required to validate the warranty period. The warranty becomes void if the equipment is modified, improperly installed or used, damaged by accident or neglect, or if any parts are improperly installed or replaced by the user.

Products returned must be packaged in the original or comparable packing and shipping container. In the event equipment is not so packaged, or if shipping damage is evident, it will not be accepted for service under warranty. Surface transportation charges for return to customers in the continental United States is paid by Zebra. Otherwise, Zebra pays CPT (carriage paid to) nearest airport; customer pays customs, duties, taxes, and freight from airport to destination. If Zebra determines that the product returned for warranty service or replacement is not defective as herein defined, the customer will pay all handling and transportation costs.

### Printers

All printers (excluding printheads) are warranted against defect in material or workmanship for twelve (12) months from the purchase date.

### Printheads

Since printhead wear is part of normal operation, the original printhead is covered by a limited warranty as indicated below. Warranty period begins on purchase date.

<b>Printhead</b>	<b>Warranty Period</b>
Bar code label and receipt printer printheads	6 months
Plastic card printer printheads	12 months

To qualify for this warranty, the printhead must be returned to the factory or to an authorized service center. Customers are not required to purchase Genuine Zebra Supplies (media and/or ribbons) for warranty qualification.

However, if it is determined that the use of inappropriate or inferior supplies has caused any defect in the printhead for which a warranty claim is made, the user is responsible for Zebra's labor and material charges required to repair the defect. The warranty becomes void if the printhead is physically worn or damaged; also if it is determined that failure to follow the preventive maintenance schedule listed in the User Guide has caused defect in the thermal printhead for which a warranty claim is made.

## **Related Hardware Items**

Products are warranted to be free of defects in material and workmanship from the date of purchase according to this chart:

<b>Product</b>	<b>Warranty Period</b>
Accessories	1 month
Batteries	3 months
Cables	1 month
Chargers/Power Supplies	1 year
Hardware Keys	1 year
Keyboard Display Units	6 months
Parts	3 months
Pocket Eye <sup>®</sup>	1 year
Software	1 month
ZebraNet <sup>®</sup> Print Servers	3 years

Defective product must be returned to Zebra for evaluation. In the event of notification of defect within the warranty period, Zebra will replace the defective item provided there had not been damage resulting from user abuse, modification, improper installation or use, or damage in shipping or by accident or neglect.

## Supplies Products

Supplies are warranted to be free from defect in material and workmanship for a period of six (6) months for media and twelve (12) months for ribbon from the date of shipment by Zebra. This is provided the user has complied with storage guidelines, handling, and usage of the supplies in Zebra printers.

Zebra's sole obligation under these warranties is to furnish parts and labor for the repair or possible replacement of products found to be defective in material or workmanship during the warranty period. Zebra may in its discretion issue a credit for any such defective products in such amount as it deems reasonable.

## Repair Services

Zebra repairs are warranted against defects in material and workmanship for 90 days from the date of repair by Zebra. This excludes printheads, which are warranted separately. This warranty does not cover normal wear and tear. This warranty becomes void if the item is modified, improperly installed or used, or damaged by accident, neglect, or abuse.

## Warranty Exclusions & Conditions Statement

The warranties given above are the only warranties given to you. No other warranties, express or implied, are given. Zebra does not make any *implied warranty of merchantability or fitness for a particular purpose* in connection with its sale of products or services. While Zebra's desire is to be responsive to your specific needs and questions, Zebra does not assume responsibility for any specific application to which any Products are applied, including, but not limited to, compatibility with other equipment. All statements, technical information, or recommendations relating to Zebra Products are based on tests believed to be reliable, but do not constitute a guaranty or warranty.

Zebra's maximum liability for warranty claims is limited to the invoice price of the Product claimed defective. Zebra does not assume responsibility for delays in replacement or repair of products. Zebra shall not under any circumstances whatsoever be liable to you or any other party for loss or profits, lost data, diminution of goodwill, or any other special or consequential damages whatsoever with respect to any warranty claim made by you. Specifically for software, Zebra is not liable for any incidental or consequential damages caused by abuse or misapplication of the software or by its use in violation of the U.S. copyright law or international treaty. No salesperson, representative, or agent of Zebra is authorized to make any guaranty, warranty, or representation that contradicts the foregoing. Any waiver, alteration, addition, or modification to the foregoing warranties must be in writing and signed by an executive officer of Zebra to be valid.



Zebra Technologies  
333 Corporate Woods Parkway  
Vernon Hills, IL 60061-3109 U.S.A.  
Phone +1 847.634.6700 or +1 800.423.0442  
Fax + 1 847.913.8766 [www.zebra.com](http://www.zebra.com)



---

# Printer Software and Firmware License Agreement



YOU SHOULD CAREFULLY READ THE FOLLOWING TERMS AND CONDITIONS OF THIS ZEBRA TECHNOLOGIES PRINTER SOFTWARE AND FIRMWARE LICENSE AGREEMENT (PSFLA) BEFORE USING THE PRINTER WHICH IS ENCLOSED OR OTHERWISE ASSOCIATED WITH THIS AGREEMENT. IF YOU DO NOT AGREE WITH THESE TERMS AND CONDITIONS, DO NOT OPERATE THE PRINTER AND PLEASE PROMPTLY RETURN THE PRINTER, ENCLOSURES AND ALL PACKAGING FOR A FULL REFUND.

Zebra Technologies (ZEBRA) hereby grants you a non-exclusive, non-transferable license to use the SOFTWARE and FIRMWARE embedded in the printer and the accompanying documentation according to the following terms:

1. The printer enclosed with or otherwise associated with this Agreement has or includes certain SOFTWARE and FIRMWARE therein which is protected by copyright laws and international copyright treaties, as well as other intellectual property laws and treaties. The SOFTWARE and FIRMWARE is licensed, not sold. Such SOFTWARE and/or FIRMWARE may include, but is not limited to, SOFTWARE and/or FIRMWARE that is licensed under one or more of the following trademarks: ZPL (Zebra Programming Language), ZebraLink, Web View, Web Alert, ZBI (Zebra Basic Interpreter), BAR-ONE, ZTools, Utilities, ZebraNet View for IP, ZebraNet Alert, PC Management Program, ZebraNet View for Networks and ZebraNet Connect.
2. GRANT OF LICENSE. This License grants you the following rights:
  - SOFTWARE and FIRMWARE. You may use, access, display, run, or otherwise interact with (RUN) the SOFTWARE and FIRMWARE in connection with operating the printer which is enclosed with or otherwise associated with this PSFLA (PRINTER). The primary user of the PRINTER may make a second copy for his or her exclusive use on a portable computer/printer.
  - Storage/Network Use. You may also store or install a copy of the SOFTWARE and FIRMWARE on a storage device, such as a network server, used only to RUN the SOFTWARE and FIRMWARE on your other PRINTERS over an internal network; however, you must acquire and dedicate a license for each separate PRINTER on which the SOFTWARE and FIRMWARE is RUN from the storage device. A license for the SOFTWARE and FIRMWARE may not be shared or used concurrently on different PRINTERS.

- Reservation of Rights. All rights not expressly granted are reserved by ZEBRA.
- Accessing Services Using the SOFTWARE and FIRMWARE. Your use of any service accessible using the SOFTWARE and FIRMWARE is not covered by this PSFLA and may be governed by separate terms of use, conditions or notices.

### 3. RESTRICTIONS.

- You must maintain all copyright notices on all copies of the SOFTWARE and FIRMWARE.
- Limitations on modification. You may not modify, adapt, translate, or create derivative works based on this SOFTWARE OR FIRMWARE or the accompanying documentation.
- Limitations of Reverse Engineering, Decompilation and Disassembly. You may not reverse engineer, decompile, or disassemble the SOFTWARE or the FIRMWARE, except and only to the extent that such activity is permitted by applicable law notwithstanding this limitation.
- Rental. You may not rent or lease or lend the SOFTWARE or FIRMWARE.
- Support Services. ZEBRA may provide you with support services related to the SOFTWARE and/or FIRMWARE (SUPPORT SERVICES), in its discretion. Use of SUPPORT SERVICES, if any, is governed by the ZEBRA policies and programs described in the user guide, in online documentation, and/or other ZEBRA provided materials. Any supplemental SOFTWARE or FIRMWARE code provided to you as a part of SUPPORT SERVICES shall be considered part of the SOFTWARE and/or FIRMWARE and is subject to the terms of this PSFLA. With respect to technical information you provide to ZEBRA as part of the SUPPORT SERVICES, ZEBRA may use such information for its business purposes, including for product support and development. ZEBRA will not utilize such technical information in a form that personally identifies you except to the extent necessary to provide you with support.
- Replacement, Modification and Upgrade of the SOFTWARE and/or FIRMWARE. ZEBRA reserves the right to replace, modify or upgrade the SOFTWARE and/or FIRMWARE at any time by offering you a replacement or modified version of the SOFTWARE and/or FIRMWARE or such upgrade and to charge for such replacement, modification or upgrade. Any such replacement or modified SOFTWARE and/or FIRMWARE code or upgrade to the SOFTWARE and/or FIRMWARE offered to you by ZEBRA shall be considered part of the SOFTWARE and/or FIRMWARE and subject to the terms of this PSFLA (unless this PSFLA is superseded by a further PSFLA accompanying such replacement or modified version of or upgrade to the SOFTWARE and/or FIRMWARE). In the event that ZEBRA offers a replacement or modified version of or any upgrade to the SOFTWARE and/or FIRMWARE, (a) your continued use of the SOFTWARE and/or FIRMWARE is conditioned on your acceptance of such replacement or modified version of or upgrade to the SOFTWARE and/or FIRMWARE and any accompanying superseding PSFLA and (b) in the case of the replacement or modified SOFTWARE and/or FIRMWARE, your use of all prior versions of the SOFTWARE and/or FIRMWARE is terminated.



4. **TERMINATION.** Without prejudice to any other rights, ZEBRA may terminate this PSFLA if you fail to comply with the terms and conditions of this PSFLA. ZEBRA may terminate this PSFLA by offering you a superseding PSFLA for the SOFTWARE and/or FIRMWARE or any replacement or modified version of or upgrade to the SOFTWARE and/or FIRMWARE and conditioning your continued use of the SOFTWARE and/or FIRMWARE or such replacement, modified or upgraded version on your acceptance of such superseding PSFLA. In addition, ZEBRA may terminate this PSFLA by notifying you that your continued use of the SOFTWARE and/or FIRMWARE is prohibited. In the event that ZEBRA terminates this PSFLA, you must immediately stop using the SOFTWARE and/or FIRMWARE and destroy all copies of the SOFTWARE and/or FIRMWARE and all of its component parts.
5. **COPYRIGHT.** All title and copyrights in and to the SOFTWARE and FIRMWARE, the accompanying printed materials, and any copies of the SOFTWARE and FIRMWARE, are owned by ZEBRA or its suppliers. All title and intellectual property rights in and to the content which may be accessed through use of the SOFTWARE and/or FIRMWARE is the property of the respective content owner and may be protected by applicable copyright or other intellectual property laws and treaties. This PSFLA grants you no rights to use such content. If this SOFTWARE and/or FIRMWARE contains documentation which is provided only in electronic form, you may print one copy of such electronic documentation. You may not copy the printed materials accompanying the SOFTWARE and/or FIRMWARE.
6. **U.S. GOVERNMENT RESTRICTED RIGHTS.** All SOFTWARE and/or FIRMWARE provided to the U.S. Government pursuant to solicitations issued on or after December 1, 1995 is provided with the commercial rights and restrictions described elsewhere herein. All SOFTWARE and/or FIRMWARE provided to the U.S. Government pursuant to solicitations issued prior to December 1, 1995 is provided with RESTRICTED RIGHTS as provided for in FAR, 48 CFR 52.227-14 (JUNE 1987) or DFAR, 48 CFR 252.227-7013 (OCT 1988), as applicable.
7. **EXPORT RESTRICTIONS.** You agree that you will not export or re-export the SOFTWARE and/or FIRMWARE, any part thereof, or any process or service that is the direct product of the SOFTWARE and/or FIRMWARE (the foregoing collectively referred to as the RESTRICTED COMPONENTS), to any country, person or entity subject to U.S. export restrictions. You specifically agree not to export or re-export any of the RESTRICTED COMPONENTS (i) to any country to which the U.S. has embargoed or restricted the export of goods or services, which currently include, but are not necessarily limited to Cuba, Iran, Iraq, Libya, North Korea, Sudan and Syria, or to any national of any such country, wherever located, who intends to transmit or transport the RESTRICTED COMPONENTS back to such country; (ii) to any person or entity who you know or have reason to know will utilize the RESTRICTED COMPONENTS in the design, development or production of nuclear, chemical or biological weapons; or (iii) to any person or entity who has been prohibited from participating in U.S. export transactions by any federal agency of the U.S. government. You warrant and represent that neither the U.S. Commerce Department, Bureau of Export Administration nor any other U.S. federal agency has suspended, revoked or denied your export privileges.

8. **DISCLAIMER OF WARRANTIES.** ZEBRA AND ITS SUPPLIERS PROVIDE THE SOFTWARE AND/OR FIRMWARE “AS IS” AND WITH ALL FAULTS, AND HEREBY DISCLAIM ALL OTHER WARRANTIES AND CONDITIONS, EITHER EXPRESS, IMPLIED OR STATUTORY, INCLUDING BUT NOT LIMITED TO ANY (IF ANY) IMPLIED WARRANTIES OR CONDITIONS OF MERCHANTABILITY, OF FITNESS FOR A PARTICULAR PURPOSE, OF LACK OF VIRUSES, AND OF LACK OF NEGLIGENCE OR LACK OF WORKMANLIKE EFFORT. ALSO, THERE IS NO WARRANTY OR CONDITION OF TITLE, OF QUIET ENJOYMENT, OR OF NONINFRINGEMENT. THE ENTIRE RISK ARISING OUT OF THE USE OR PERFORMANCE OF THE SOFTWARE AND FIRMWARE IS WITH YOU. ZEBRA DOES NOT WARRANT THAT THE OPERATION OF THE SOFTWARE OR FIRMWARE WILL BE UNINTERRUPTED OR ERROR FREE.
9. **EXCLUSION OF ALL DAMAGES.** TO THE MAXIMUM EXTENT PERMITTED BY APPLICABLE LAW, IN NO EVENT SHALL ZEBRA OR ITS SUPPLIERS BE LIABLE FOR ANY CONSEQUENTIAL, INCIDENTAL, DIRECT, INDIRECT, SPECIAL, PUNITIVE, OR OTHER DAMAGES WHATSOEVER (INCLUDING, WITHOUT LIMITATION, DAMAGES FOR ANY INJURY TO PERSON OR PROPERTY, DAMAGES FOR LOSS OF PROFITS, BUSINESS INTERRUPTION, LOSS OF BUSINESS INFORMATION, FOR LOSS OF PRIVACY FOR FAILURE TO MEET ANY DUTY INCLUDING OF GOOD FAITH OR OF REASONABLE CARE, FOR NEGLIGENCE, AND FOR ANY PECUNIARY OR OTHER LOSS WHATSOEVER) ARISING OUT OF OR IN ANY WAY RELATED TO THE USE OF OR INABILITY TO USE THE SOFTWARE OR FIRMWARE, WHETHER BASED ON CONTRACT, TORT, NEGLIGENCE, STRICT LIABILITY OR OTHERWISE, EVEN IF ZEBRA OR ANY SUPPLIER HAS BEEN ADVISED OF THE POSSIBILITY OF SUCH DAMAGES. THIS EXCLUSION OF DAMAGES SHALL BE EFFECTIVE EVEN IF ANY REMEDY FAILS OF ITS ESSENTIAL PURPOSE.
10. **LIMITATIONS AND RELEASE OF LIABILITY.**
  - To the extent that the SOFTWARE and/or FIRMWARE covered by this PSFLA includes emulation libraries, emulation libraries are offered “as is”. ZEBRA does not provide any warranty associated with the emulation libraries.
  - The emulation library does not work 100% correctly or cover 100% of the functionality of the printer language being emulated. Modifications may be required for each target application. If such modification is necessary, prior to making any such modification, you are required to contact ZEBRA to obtain express written consent to make such modification.
  - If the emulation library is sold separately by an authorized party other than ZEBRA (RESELLER—A party other than ZEBRA which is authorized by ZEBRA to distribute the SOFTWARE and/or FIRMWARE with its application so long as the SOFTWARE and/or FIRMWARE is used with a ZEBRA printer) or is sold bundled with a printer to an end-user by a RESELLER, and if claims are made by the RESELLER that the emulation library performs as a 100% emulation solution, ZEBRA is not responsible if the emulation library does not work as advertised by the RESELLER. Furthermore, ZEBRA is not liable for any damages directly or indirectly relating to such emulation library which is sold separately by the RESELLER or which is sold bundled with a printer to an end-user by the RESELLER.

- The SOFTWARE and FIRMWARE was provided to you at no additional charge and ZEBRA has included in this PSFLA terms that disclaim all warranties and liability for the SOFTWARE and FIRMWARE. To the full extent allowed by law, YOU HEREBY RELEASE ZEBRA AND ITS SUPPLIERS FROM ANY AND ALL LIABILITY ARISING FROM OR RELATED TO ALL CLAIMS CONCERNING THE SOFTWARE AND/OR FIRMWARE OR ITS USE. If you do not wish to accept the SOFTWARE OR FIRMWARE under the terms of this PSFLA, do not use the PRINTER enclosed with or otherwise associated with this PSFLA.
- 11. GOVERNING LAW.** If you acquired the SOFTWARE and/or FIRMWARE in the United States of America, the laws of the State of Illinois, U.S.A. will apply to this contract. If you acquired this SOFTWARE and/or FIRMWARE outside of the United States of America, then local law may apply. If any provision of this PSFLA is held invalid, the remainder of this PSFLA shall continue in full force and effect.
- 12. QUESTIONS.** Should you have any questions, or if you desire to contact ZEBRA for any reason, please contact the ZEBRA subsidiary serving your country, or write:
- Zebra Technologies Corporation  
333 Corporate Woods Parkway  
Vernon Hills, IL 60061



---

# Preface



This section provides you with contact information, document structure and organization, and additional reference documents.

## Contacts

You can contact Zebra Technologies at any of the following:

**Visit us at:** <http://www.zebra.com>

**Our Mailing Addresses:**

**Zebra Technologies Corporation**

333 Corporate Woods Parkway

Vernon Hills, Illinois 60061.3109 U.S.A

Telephone: +1 847.634.6700

Fax: +1 847.913.8766

**Zebra Technologies Europe Limited**

Zebra House

The Valley Centre, Gordon Road

High Wycombe

Buckinghamshire HP13 6EQ, UK

Telephone: +44 (0)1494 472872

Fax: +44 (0)1494 450103

## Support

You can contact Zebra support at:

**Web Address:** [www.zebra.com/SS/service\\_support.htm](http://www.zebra.com/SS/service_support.htm)



**Note** • The web address is case-sensitive.

**US Phone Number** +1 847.913.2259

**UK/International Phone Number** +44 (0) 1494 768289

## Document Conventions

The following conventions are used throughout this document to convey certain information:

**Alternate Color** (online only) Cross-references contain hot links to other sections in this guide. If you are viewing this guide online in .pdf format, you can click the cross-reference ([blue text](#)) to jump directly to its location.

**Command Line Examples** All command line examples appear in Courier New font. For example, you would type the following to get to the Post-Install scripts in the bin directory:

```
Ztools
```

**Files and Directories** All file names and directories appear in Courier New font. For example, the Zebra<version number>.tar file and the /root directory.

### Cautions, Important, Note, and Example




---

**Electrostatic Discharge Caution** • Warns you of the potential for electrostatic discharge.

---




---

**Electric Shock Caution** • Warns you of a potential electric shock situation.

---




---

**Caution** • Warns you of a situation where excessive heat could cause a burn.

---




---

**Caution** • Advises you that failure to take or avoid a specific action could result in physical harm to you.

---



---

**Caution** • Advises you that failure to take or avoid a specific action could result in physical harm to the hardware.

---



**Important** • Advises you of information that is essential to complete a task.



**Note** • Indicates neutral or positive information that emphasizes or supplements important points of the main text.



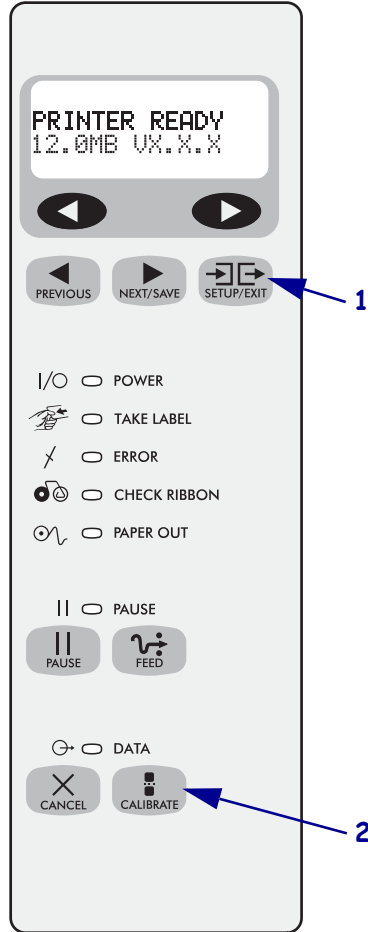
**Example** • Provides an example, often a scenario, to better clarify a section of text.



**Tools** • Tells you what tools you need to complete a given task.

**Illustration Callouts** Callouts are used when an illustration contains information that needs to be labeled and described. A table that contains the labels and descriptions follows the graphic. [Figure 1](#) provides an example.

**Figure 1 • Sample Figure with Callouts**



<b>1</b>	SETUP/EXIT button
<b>2</b>	CALIBRATE button

## Related Documents

The following documents might be helpful references:

- *ZPL II® Programming Guide Volume I* (part number 45541L) and *Volume II* (part number 45542L)
- *ZebraNet® Wireless Print Server User Guide* (part number 13422L)
- *ZebraNet 10/100 Print Server User and Reference Guide* (part number 47619L-001)
- *ZebraNet PrintServer II™ Installation and User Guide* (part number 45537L)
- *Maintenance Manual* (part number 13185L for the 110XiIIIPlus, part number 48152L for all other XiIIIPlus printers)





---

# Introduction

This chapter provides a high-level overview of the printer and its components.

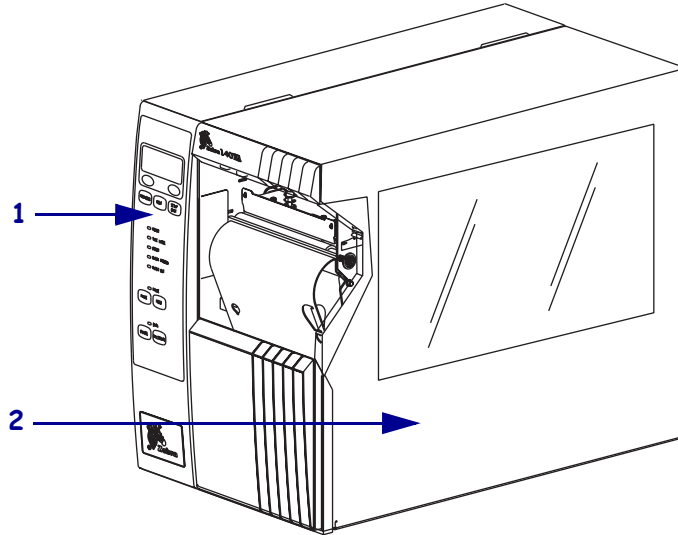
## Contents

Exterior View .....	2
Front Panel .....	3
Front Panel Buttons .....	4
Front Panel Lights .....	5
Printer Components .....	6

## Exterior View

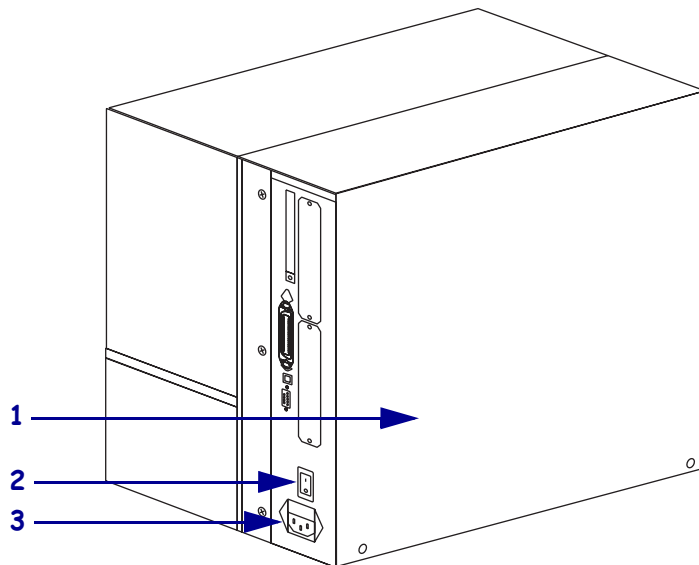
The following illustrations show the exterior of the printer.

**Figure 2 • Printer Exterior—Front View**



1	Front panel
2	Media door

**Figure 3 • Printer Exterior—Rear View**

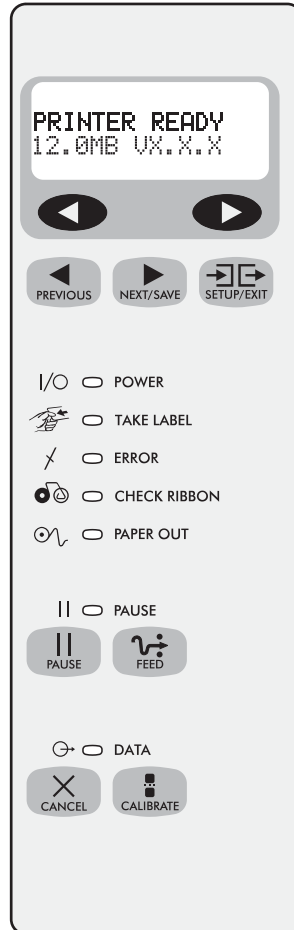


1	Electronics cover
2	Power switch
3	AC power cord connection

## Front Panel

Figure 4 shows the buttons and lights on the front panel. For a description of the front panel buttons, see [Table 1 on page 4](#), and for a description of the front panel lights, see [Table 2 on page 5](#).










Figure 4 • Front Panel Buttons and Lights



## Front Panel Buttons

This table describes the function of the buttons shown in [Figure 4](#).








**Table 1 • Front Panel Buttons**

Button	Details
LEFT OVAL 	Changes parameter values. Common uses are to increase/decrease a value, answer <b>yes</b> or <b>no</b> , indicate <b>on</b> or <b>off</b> , scroll through several choices, input the password, or set up the printer for a firmware download.
RIGHT OVAL 	Changes parameter values. Common uses are to increase/decrease a value, answer <b>yes</b> or <b>no</b> , indicate <b>on</b> or <b>off</b> , scroll through several choices, input the password, or set up the printer for a firmware download.
SETUP/EXIT 	Enters and exits the setup mode.
PREVIOUS 	While in setup mode, scrolls to the previous parameter. Press and hold this button to scroll back quickly through parameter sets.
NEXT/SAVE 	While in setup mode, scrolls to the next parameter. Press and hold this button to scroll forward quickly through parameter sets. When exiting setup mode, this button scrolls through the save options.
PAUSE 	Starts and stops the printing process and allows other buttons to be used. If an error messages is on the LCD, pressing this button after the problem is resolved clears the error and allows printing to resume.
FEED 	Forces the printer to feed a blank label each time the button is pressed. <ul style="list-style-type: none"> <li>• If the printer is not printing, one blank label immediately feeds.</li> <li>• If the printer is printing, one blank label feeds after the current batch of labels is complete.</li> </ul>
CANCEL 	In the pause mode, this button cancels print jobs. <ul style="list-style-type: none"> <li>• If there are multiple print jobs in the print queue, press <b>CANCEL</b> once for each print job to be deleted.</li> <li>• To delete all print jobs, hold <b>CANCEL</b> for several seconds. The <b>DATA</b> light turns off.</li> </ul>
CALIBRATE 	This button can be used to calibrate the printer for the following: <ul style="list-style-type: none"> <li>• Media length</li> <li>• Media type (continuous or non-continuous)</li> <li>• Print mode (direct thermal or thermal transfer)</li> <li>• Sensor values</li> </ul> For more information on calibration, see <a href="#">Calibrate the Printer on page 32</a> .

## Front Panel Lights

This table details the lights shown in [Figure 4 on page 3](#).

**Table 2 • Front Panel Lights**

Light	Details
POWER 	Indicates printer power status. <ul style="list-style-type: none"> <li>• <b>Off</b> — printer is off.</li> <li>• <b>On</b> — printer is on.</li> </ul>
TAKE LABEL 	<ul style="list-style-type: none"> <li>• <b>Off</b> — Normal operation.</li> <li>• <b>Flashing</b> — (<i>Peel-Off Mode only.</i>) The label is available. Printing is paused until the label is removed.</li> </ul>
ERROR 	Indicates printer operation. <ul style="list-style-type: none"> <li>• <b>Off</b> — Normal operation.</li> <li>• <b>Flashing</b> — printer pauses until the error condition is resolved and the PAUSE button is pressed.</li> </ul>
CHECK RIBBON 	<ul style="list-style-type: none"> <li>• <b>Off</b> — Normal operation; ribbon (if used) is properly loaded.</li> <li>• <b>On</b> — No ribbon is detected under the ribbon sensor. Printing is paused, the LCD shows an error message, and the PAUSE light is on.</li> </ul>
PAPER OUT 	Indicates that labels need to be reloaded.
PAUSE 	<ul style="list-style-type: none"> <li>• <b>Off</b> — normal operation.</li> <li>• <b>On</b> — all printing operations have stopped. Either PAUSE was pressed, a pause command was included in the label format, the on-line verifier detected an error, or a printer error was detected.</li> </ul>
DATA 	<ul style="list-style-type: none"> <li>• <b>Off</b> — Normal operation. No data being received or processed.</li> <li>• <b>On/Blinking</b> — Data processing or printing is taking place. Data is being received.</li> </ul>

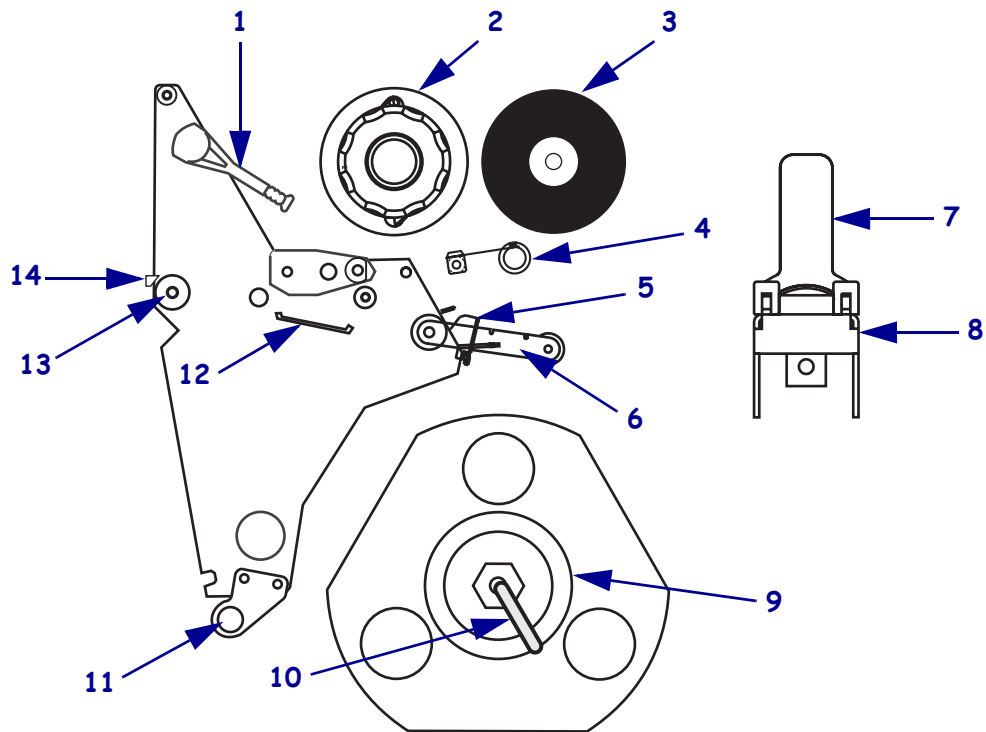
## Printer Components

Figure 5 shows a side view of the printer's internal components.



**Note** • Depending on the printer options that you selected, your printer could look slightly different. For more about printer options, go to [www.zebra.com](http://www.zebra.com).

Figure 5 • Internal Components



1	Printhead lever
2	Ribbon take-up spindle
3	Ribbon supply spindle
4	Ribbon dancer assembly (only on select models)
5	Media guide
6	Media dancer roller assembly
7	Media supply guide
8	Media supply hanger
9	Rewind spindle (optional)
10	Spindle hook
11	Lower roller
12	Snap plate
13	Platen roller
14	Tear-off bar




---

# Printer Setup

This chapter provides the tasks that you must complete and the issues that you must consider before you load and configure your printer.

## Contents

Before You Begin . . . . .	8
Unpack and Inspect the Printer . . . . .	9
Report Shipping Damage. . . . .	9
Store or Reship the Printer. . . . .	9
Select a Site for the Printer . . . . .	10
Select a Surface. . . . .	10
Provide Proper Operating Conditions . . . . .	10
Allow Proper Space . . . . .	10
Provide a Data Source. . . . .	10
Connect the Printer to a Power Source . . . . .	11
Power Cord Specifications. . . . .	11
Select a Communication Interface. . . . .	12
Data Cable Requirements . . . . .	13
Types of Media . . . . .	14
Non-Continuous Media . . . . .	15
Continuous Media . . . . .	15
Ribbon . . . . .	16
When to Use Ribbon . . . . .	16
Ribbon Width . . . . .	16
Coated Side of Ribbon. . . . .	16

## Before You Begin

Review this checklist, and resolve any issues before you begin setting up your printer. When you are ready, continue with [Printer Operation on page 19](#).

- Unpack and Inspect** Have you unpacked the printer and inspected it for damage? If you have not, see [Unpack and Inspect the Printer on page 9](#).
- Select a Site** Have you selected an appropriate location for the printer? If you have not, see [Select a Site for the Printer on page 10](#).
- Attach Power Cord** Do you have the correct power cord for your printer? If you are unsure, see [Power Cord Specifications on page 11](#). To attach the power cord and connect the printer to a power source, see [Connect the Printer to a Power Source on page 11](#).
- Connect to a Data Source** Have you determined how the printer will be connected to a data source (usually a computer)? For more information, see [Select a Communication Interface on page 12](#).
- Select Media** Do you have the correct media for your application? If you are unsure, see [Types of Media on page 14](#).
- Select Ribbon** Do you need to use ribbon, and is the appropriate ribbon available, if needed? If you are unsure, see [Ribbon on page 16](#).



## Unpack and Inspect the Printer

When you unpack the printer, save all packing materials. When the printer is out of the box, raise the printer's media door, and remove the power cord.

Inspect the printer for possible damage incurred during shipment. Check all exterior surfaces for damage. Raise the media door, and inspect the media compartment for damage to components.

## Report Shipping Damage

If you discover shipping damage upon inspection:

- Immediately notify the shipping company of the damage, and file a damage report with them. Zebra is not responsible for any damage incurred during shipment of the equipment and does not repair this damage under warranty.
- Keep all packaging material for shipping company inspection.
- Notify your authorized Zebra reseller.

## Store or Reship the Printer

If you are not placing the printer into immediate operation, repackage it using the original packing materials. You may store the printer under the following conditions:

- Temperature:  $-40^{\circ}$  to  $140^{\circ}$ F ( $-40^{\circ}$  to  $60^{\circ}$ C)
- Relative humidity: 5% to 85% non-condensing

If you must ship the printer, remove any ribbon and media from the supply spools to avoid damaging the printer. Carefully pack the printer into the original container or a suitable alternate container to avoid damage during transit.

## Select a Site for the Printer

Consider the following when selecting an appropriate location for your printer.

### Select a Surface

Select a solid, level surface of sufficient size and strength to accommodate the printer and other equipment (such as a computer), if necessary. The choices include a table, countertop, desk, or cart.

### Provide Proper Operating Conditions

Because the printer was designed and is fabricated as an industrial-type unit, it functions satisfactorily in a location that conforms to specified environmental and electrical conditions, including a warehouse or factory floor. For more information on the required conditions, see [General Specifications on page 122](#).

[Table 3](#) shows the temperature and relative humidity requirements for the printer when it is operating.

**Table 3 • Operating Temperature and Humidity**

Mode	Temperature	Relative Humidity
Thermal Transfer	41° to 104°F (5° to 40°C)	20 to 85% non-condensing
Direct Thermal	32° to 104°F (0° to 40°C)	20 to 85% non-condensing

### Allow Proper Space

The printer should have enough space around it for you to be able to open the media door. To allow for proper ventilation and cooling, leave open space on all sides of the printer.

---

**Caution** • Do not place any padding or cushioning material behind or under the printer because this restricts air flow and could cause the printer to overheat.

---

### Provide a Data Source

If the printer will be located away from the data source, the selected site must provide the appropriate connections to that data source. For more information on the types of communication interfaces, see [Select a Communication Interface on page 12](#).

## Connect the Printer to a Power Source



**Caution** • For personnel and equipment safety, always use an approved three-conductor power cord specific to the region or country intended for installation. This cord must use an IEC 320 female connector and the appropriate region-specific three-conductor grounded plug configuration.

### To connect the printer to a power source, complete these steps:

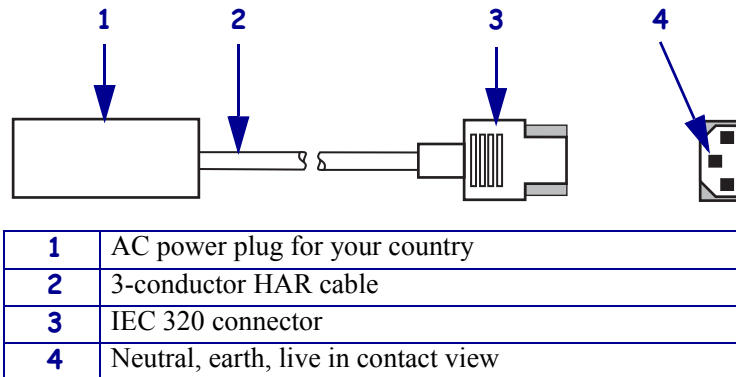
1. Turn the printer power switch (located on the rear of the printer) to the Off (O) position.
2. Plug the power cord into the mating connector on the rear of the printer.
3. Plug the other end of the power cord into the power source.

## Power Cord Specifications

Depending on how your printer was ordered, a power cord may or may not be included. If one is not included or if the one included is not suitable for your requirements, refer to the following guidelines:

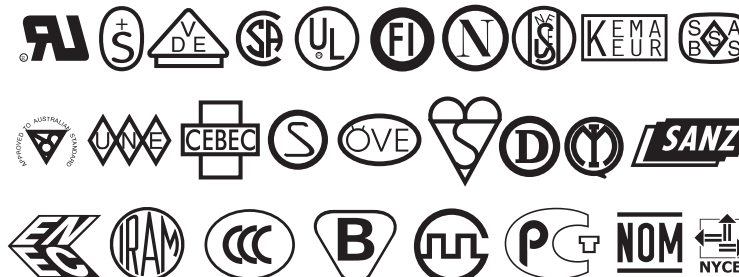
- The overall cord length must be less than 9.8 ft (3.0 m).
- The cord must be rated for at least 5 A, 250 V.
- The chassis ground (earth) **must** be connected to ensure safety and reduce electromagnetic interference. The third wire in the power cord grounds the connection (Figure 6).

**Figure 6 • Power Cord Specifications**



- The AC power plug and the IEC 320 connector must bear the certification mark of at least one of the known international safety organizations shown in Figure 7.

**Figure 7 • International Safety Organization Marks**



## Select a Communication Interface

The way that you connect your printer to a data source depends on the communication options installed in the printer.

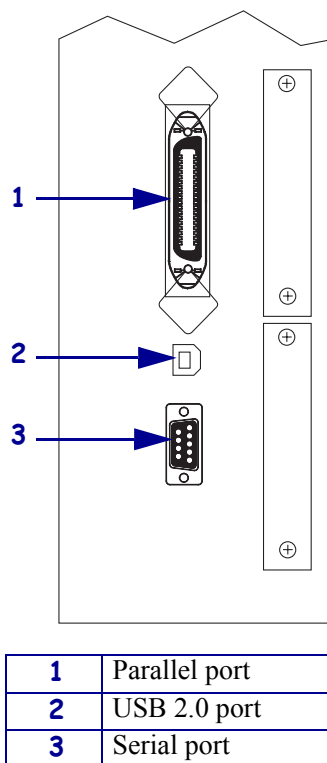
**Standard interfaces:** The standard communication interfaces are an RS-232 serial data port, a bidirectional parallel port, and a USB 2.0 port.



**Note** • RS-422 and RS-485 serial data ports are available through an adapter. A DB-25 cable and a USB 2.0 cable are also available.

[Figure 8](#) shows the location of the communication interfaces on the back of the printer. For more information about these interfaces, see [Data Ports on page 75](#).

**Figure 8 • Communication Interfaces**



### Optional Print Servers:

- ZebraNet Wireless Print Server. For more information on this option, see the *ZebraNet Wireless Print Server User Guide* (Zebra part number 13422L-001).
- ZebraNet 10/100 Print Server (10/100 PS). For more information on 10/100 PS, see the *ZebraNet 10/100 Print Server User and Reference Guide* (Zebra part number 47619L-001).
- ZebraNet PrintServer II (PSII). For more information on PSII, see the *PrintServer II User and Reference Guide* (Zebra part number 45537L).

## Data Cable Requirements

Data cables must be fully shielded and fitted with metal or metallized connector shells. Shielded cables and connectors are required to prevent radiation and reception of electrical noise.

To minimize electrical noise pickup in the cable:

- Keep data cables as short as possible.
- Do not bundle the data cables tightly with the power cords.
- Do not tie the data cables to power wire conduits.



**Note** • Zebra printers comply with FCC Rules and Regulations, Part 15 for Class B Equipment using fully shielded, 6.5 ft (2 m) data cables. Use of unshielded cables may increase radiation above the Class B limits.

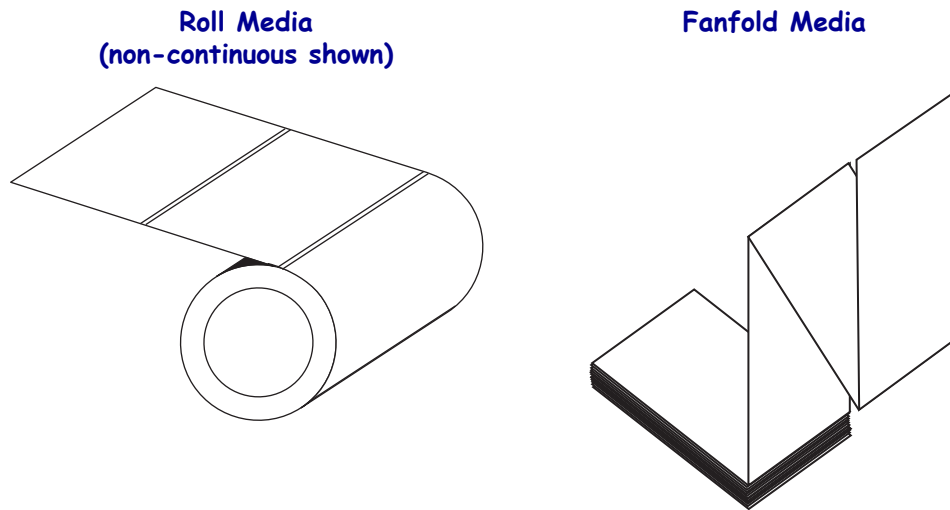


**Note** • RS-422 and RS-485 applications should use twisted shielded pairs as recommended in the TIA/EIA-485 Specification.

## Types of Media

Your printer is capable of using various forms of media. These include roll and fanfold media (Figure 9) that may be labels or card stock and that may have optional perforations, black marks, or registration holes. The following sections contain descriptions of the various types of media approved for use in your printer.

Figure 9 • Roll and Fanfold Media



## Selecting Media

We strongly recommend the use of Zebra-brand supplies for continuous high-quality printing. A wide range of paper, polypropylene, polyester, and vinyl stock has been specifically engineered to enhance the printing capabilities of the printer and to ensure against premature printhead wear.



**Important** • Certain printing conditions may require that you adjust printing parameters, such as print speed, darkness, or print mode. These conditions include (but are not limited to):

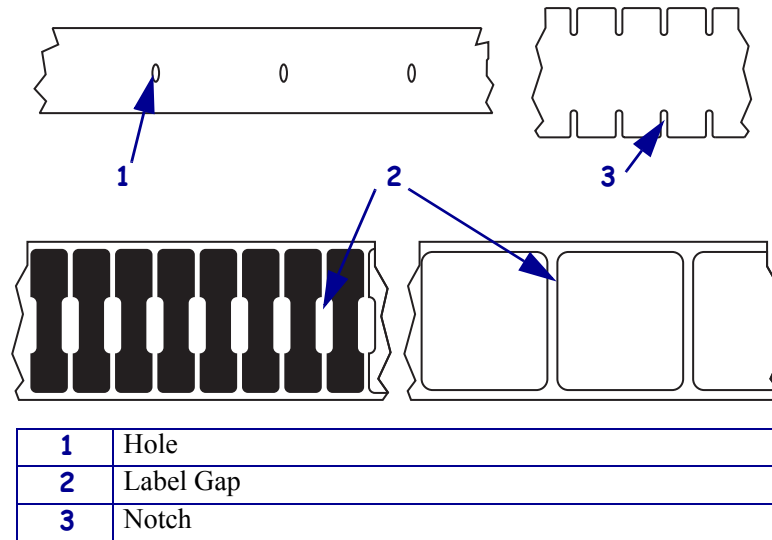
- printing at high speeds
- cutting or peeling the media
- the use of extremely thin, small, synthetic, or coated labels

Because print quality is affected by these and other factors, it is important that you run tests to determine the best combination of printer settings and media for your application. A poor match may limit print quality or print rate, or the printer may not function properly in the desired print mode.

## Non-Continuous Media

Non-continuous web media refers to individual labels that are separated by a gap, notch, or hole (Figure 10). When you look at the media, you can tell where one label ends and the next one begins.

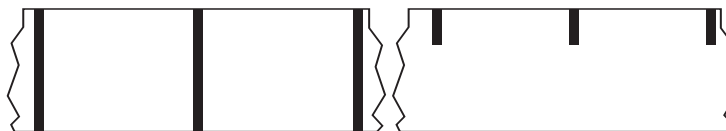
Figure 10 • Non-Continuous Web Media



**Important** • When using media that has holes or notches, position the upper sensor directly over a hole or notch.

Non-continuous black mark media has black marks printed on the back, which indicate the start and end of each label. Figure 11 shows a sample of non-continuous black mark media.

Figure 11 • Non-Continuous Black Mark Media



## Continuous Media

Continuous media (Figure 12) is one uninterrupted roll of material without gaps, holes, notches, or black marks. This allows the image to be printed anywhere on the label. The individual labels can be cut apart or stored in a roll for later use.

Figure 12 • Continuous Media



## Ribbon

Ribbon is a thin film that is coated on one side with wax or wax resin, which is transferred to the media during the thermal transfer process. The media determines whether you need to use ribbon and how wide the ribbon must be.

### When to Use Ribbon

Thermal transfer media requires ribbon for printing while direct thermal media does not. To determine if ribbon must be used with a particular media, perform a media scratch test.

#### To perform a label scratch test, complete these steps:

1. Scratch the print surface of the media with your fingernail.
2. Did a black mark appear on the media?

If a black mark...	Then...
Does not appear on the media	The media is <b>thermal transfer</b> . A ribbon is required with this type of media.
Appears on the media	The media is <b>direct thermal</b> . No ribbon is required for this type of media, though ribbon may be used to help protect the printhead from abrasion with the media.

### Ribbon Width

When ribbon is used, it must be as wide as or wider than the media being used. If the ribbon is narrower than the media, areas of the printhead are unprotected and subject to premature wear.

### Coated Side of Ribbon

Ribbon can be wound with the coated side on the inside or outside (see [Figure 13](#)). This printer can only use ribbon that is coated on the outside. If you are unsure which side of a particular roll of ribbon is coated, perform an adhesive test or a ribbon scratch test to determine which side is coated.

Figure 13 • Ribbon Coated on Outside or Inside





## Adhesive Test

If you have labels available, perform the adhesive test to determine which side of a ribbon is coated. This method works well for ribbon that is already installed.

### To perform an adhesive test, complete these steps:

1. Peel a label from its backing.
2. Press a corner of the sticky side of the label to the outer surface of the roll of ribbon.
3. Peel the label off of the ribbon.
4. Observe the results. Did flakes or particles of ink from the ribbon adhere to the label?

---

#### **If ink from the ribbon... Then...**

---

Adhered to the label	The ribbon is coated on the outer surface.
Did not adhere to the label	<p>The ribbon is likely coated on the inner surface.</p> <ol style="list-style-type: none"> <li>a. Press a corner of the sticky side of the label to the inner surface of the roll of ribbon.</li> <li>b. Peel the label off of the ribbon.</li> <li>c. Observe the results again. The ink from the ribbon should have adhered to the label. If the ink did not stick either time, repeat the adhesive test with a stickier adhesive, or perform the ribbon scratch test. If you discover that the ribbon is coated on the inside, you will not be able to use this ribbon in your printer.</li> </ol>

---

## Ribbon Scratch Test

If you do not have labels available, perform the ribbon scratch test. This method works best if the ribbon is not installed.

### To perform a ribbon scratch test, complete these steps:

1. Unroll a short length of ribbon.
2. Place the unrolled section of ribbon on a piece of paper with the outer surface of the ribbon in contact with the paper.
3. Scratch the inner surface of the unrolled ribbon with your fingernail.
4. Lift the ribbon from the paper.

5. Observe the results. Did the ribbon leave a mark on the paper?

<b>If the ribbon...</b>	<b>Then...</b>
Left a mark on the paper	The ribbon is coated on the outer surface.
Did not leave a mark on the paper	The ribbon is likely coated on the inner surface. <ol style="list-style-type: none"><li>Flip the ribbon over on the paper so the inner side of the ribbon comes in contact with the paper.</li><li>Scratch the outer surface of the unrolled ribbon with your fingernail.</li><li>Lift the ribbon from the paper.</li><li>Observe the results again. The ribbon should have left a mark on the paper. If not, repeat the test, starting with the first side again. You may need to scratch the surface of the ribbon harder.</li></ol>




---

# Printer Operation

If you have completed the tasks and resolved the issues in the checklist in *Before You Begin* on page 8, follow the instruction in this chapter to load and calibrate your printer and to print configuration labels.

## Contents

Load the Printer . . . . .	20
Load Roll Media . . . . .	20
Load Fanfold Media . . . . .	22
Load Ribbon . . . . .	24
Remove Used Ribbon . . . . .	28
Print a Printer Configuration Label . . . . .	29
Print a Network Configuration Label . . . . .	31
Calibrate the Printer . . . . .	32
Media and Ribbon Sensor Calibration . . . . .	33
Adjust and Calibrate Sensors . . . . .	33
Transmissive (Media) Sensors . . . . .	35
Adjust Printhead Pressure and Toggle Position . . . . .	37
Toggle Position Adjustment . . . . .	37
Printhead Pressure Adjustment . . . . .	37

## Load the Printer

This section gives you a series of instructions to load labels and ribbon (if used). The instructions that follow are for a standard printer in Tear-Off Mode. To choose different printing modes, see *Print Modes and Options* on page 39.



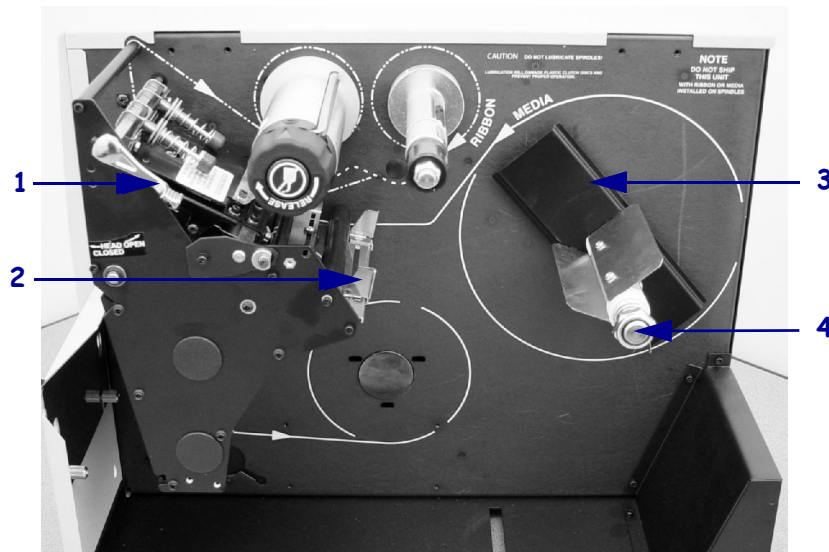
**Caution** • Be sure the printer is Off (O) if you have connected the power cable.

### Load Roll Media

Roll media feeds through the printer from the media hanger or media supply spindle.

Figure 14 identifies the components of the printer that you need to be familiar with to load roll media.

**Figure 14 • Interior Components for Media Loading**



1	Printhead lever
2	Media guide
3	Media back plate
4	Optional media spindle

#### To load roll media, complete these steps:

1. Open the printhead.
2. Slide the media guide away from the printer frame. You might need to loosen the media guide screw.
3. Put the roll of media on the media hanger or spindle. If using a media hanger, adjust the media guide on the hanger so it just touches the media.
4. Push the label core toward the printer frame. The labels must be aligned with the label core.

5. Feed the media under the media guide roller and under the printhead.
6. Do you have the Cutter option?

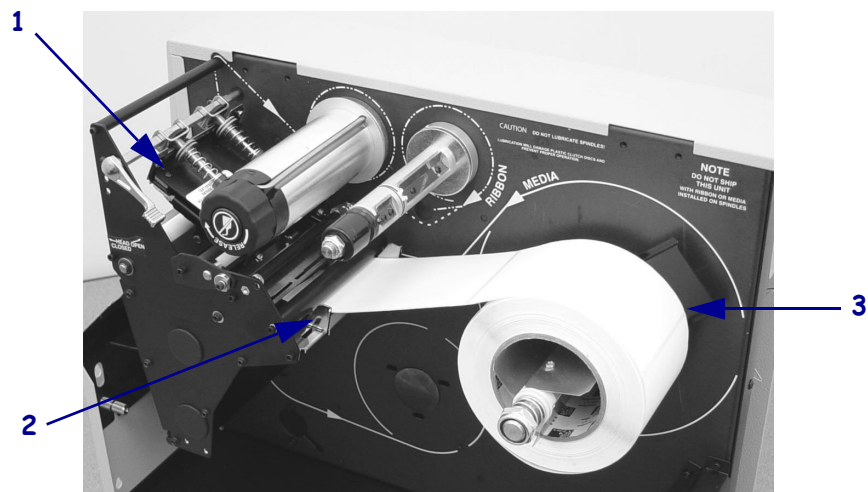
If...	Then...
No	Continue with the next step.
Yes	Feed the media through the cutter.



**Caution** • The cutter blade is sharp. Do not rub or touch the blade with your fingers.

7. Adjust the media guide so it is just touching, but does not restrict, the edge of the media. The labels should lie flat as shown in [Figure 15](#).

**Figure 15 • Media Position**



1	Printhead
2	Media guide
3	Labels/media

8. Which type of media are you using?

If you are...	Then...
Using <b>direct thermal</b> media	Close the printhead and go to <a href="#">Print a Printer Configuration Label on page 29</a> .
Using <b>thermal transfer</b> media	Go to <a href="#">Load Ribbon on page 24</a> .
Not sure	Go to <a href="#">When to Use Ribbon on page 16</a> .

## Load Fanfold Media

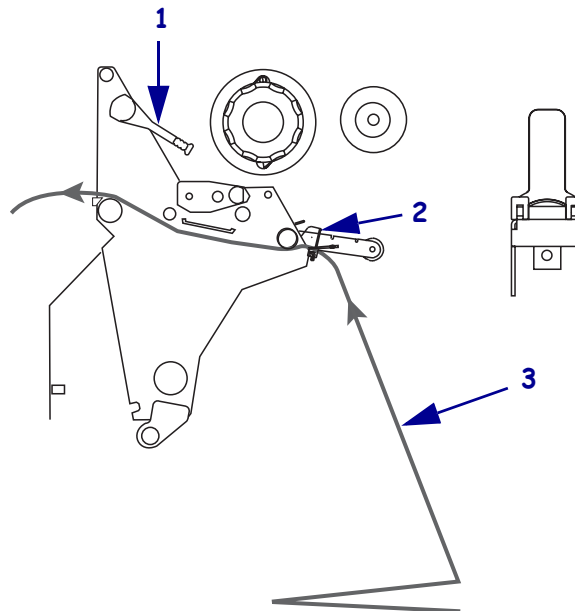
Fanfold media feeds through either the bottom or rear access slot from outside the printer. The media hanger and media supply spindle are **not** used with fanfold media.

### To load fanfold labels, complete these steps:

1. Slide the printhead lever to the Open position.
2. Slide the media guide as far from the printer frame as possible.
3. How do you want to feed the fanfold labels?
  - **From the bottom slot in the printer body.**

Figure 16 shows the printer with fanfold labels loaded through the bottom slot.

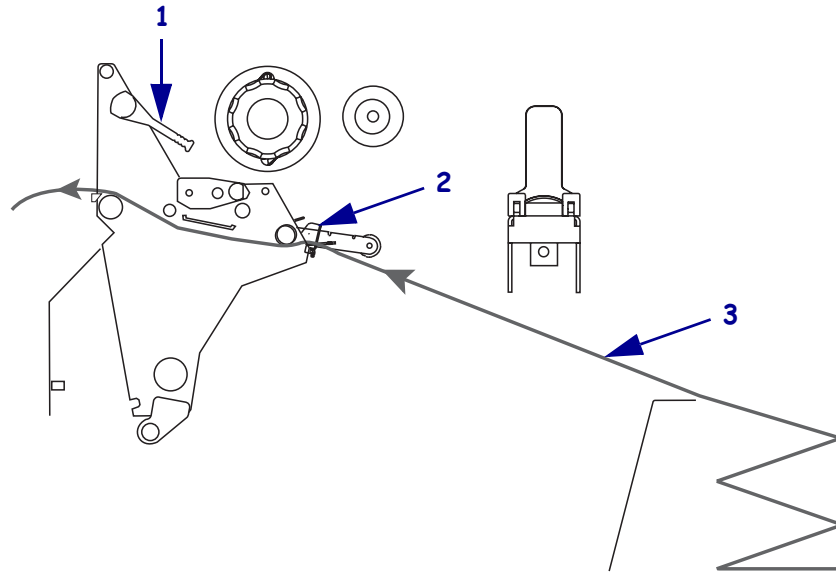
**Figure 16 • Fanfold Media—Bottom Loading**



<b>1</b>	Printhead lever (shown in the Open position)
<b>2</b>	Media guide
<b>3</b>	Fanfold labels

- From the rear slot in the printer body.  
Figure 17 shows the printer with fanfold labels loaded through the rear slot.


Figure 17 • Fanfold Media—Rear Loading



<b>1</b>	Printhead lever (shown in the Open position)
<b>2</b>	Media guide
<b>3</b>	Fanfold labels

4. Do you have the Cutter option?

If...	Then...
No	Continue with the next step.
Yes	Feed the fanfold media through the cutter.

 **Caution** • The cutter blade is sharp. Do not rub or touch the blade with your fingers.

5. Adjust the media guide so it just touches, but does not restrict, the edge of the labels. The labels should lie flat.
6. Which type of media are you using?

If you are...	Then...
Using direct thermal media	Close the printhead and go to <i>Print a Printer Configuration Label</i> on page 29.
Using thermal transfer media	Go to <i>Load Ribbon</i> on page 24.
Not sure	Go to <i>When to Use Ribbon</i> on page 16.

## Load Ribbon

Before you load ribbon, make sure that the labels that you are using need ribbon. Only thermal transfer media requires ribbon. Ribbon is not required with direct thermal media, though it may be used to protect the printhead from abrasion. For more information, see [When to Use Ribbon on page 16](#).

---

**Caution** • Use ribbon that is wider than the thermal transfer media. If the printhead is not protected by the ribbon, the resulting abrasion from the media may cause premature printhead wear.

---

A ribbon leader makes it easier to load and unload ribbon. Make a leader for your ribbon roll if it does not already have one.

### To make a ribbon leader, complete these steps:

1. Unroll the ribbon about 6 in. (15 cm).
2. Tear off a strip of labels and backing about 6 in. (15 cm) long from the label roll.
3. Peel a label from the backing.
4. Overlap the ribbon and the backing with the ribbon on top, and use the label to tape them together. This serves as a ribbon leader ([Figure 18](#)).

**Figure 18 • Ribbon Leader**

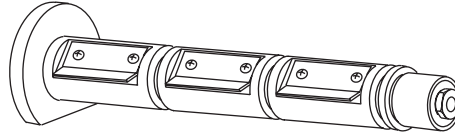




**To load the ribbon, complete these steps:**

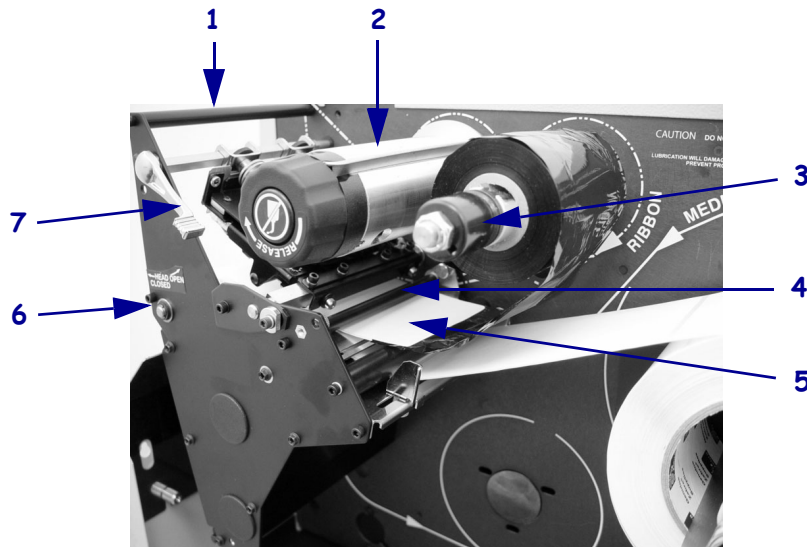
1. Align the segments of the ribbon supply spindle as shown in [Figure 19](#).

**Figure 19 • Ribbon Supply Spindle Segments**



2. Place the roll of ribbon on the ribbon supply spindle, and push the core as far back as it can go. [Figure 20](#) shows the printer components that are mentioned in this procedure.

**Figure 20 • Interior Components for Ribbon Loading**



<b>1</b>	Top roller
<b>2</b>	Ribbon take-up spindle
<b>3</b>	Ribbon supply spindle
<b>4</b>	Ribbon guide roller
<b>5</b>	Ribbon leader attached to ribbon
<b>6</b>	Platen roller (not shown)
<b>7</b>	Printhead lever (shown in the Open position)

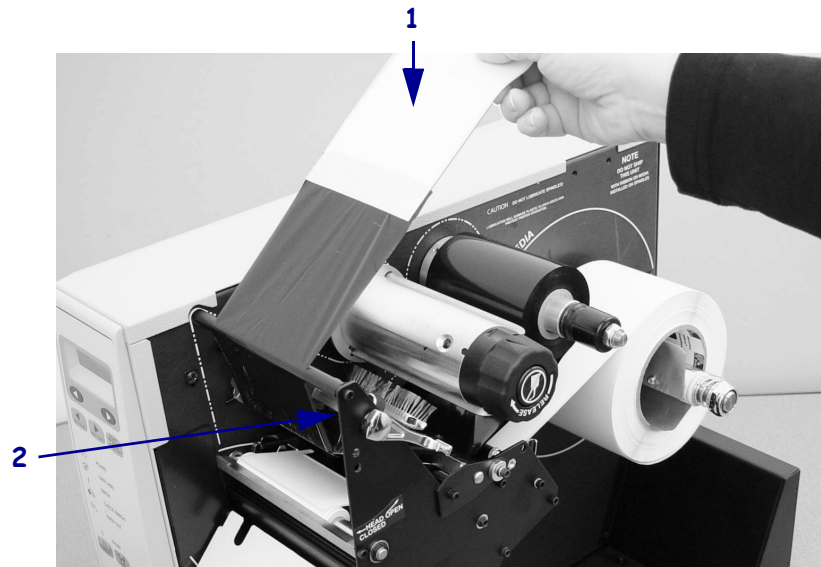
3. If the printhead is closed, open it using the printhead lever.
4. Thread the ribbon leader and attached ribbon under the ribbon guide roller, through the print mechanism, and past the platen roller.



**Note** • For the 170*XiIIIPlus* and 220*XiIIIPlus*, thread the leader first through the ribbon dancer roller assembly (not shown).

5. Pull the ribbon leader over the printhead and above the top roller (Figure 21).

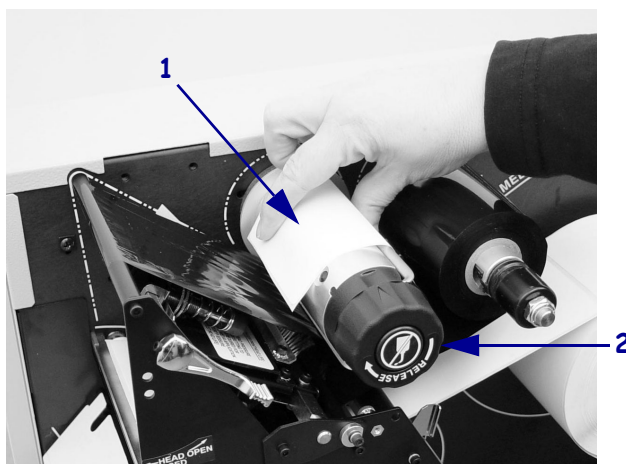
**Figure 21 • Threading Ribbon Past Printhead and Platen Roller**



<b>1</b>	Ribbon leader
<b>2</b>	Printhead

6. Bring the ribbon leader and ribbon under the ribbon take-up spindle, and wrap them around the spindle. Figure 22 shows the ribbon leader wrapped around the ribbon take-up spindle.

**Figure 22 • Wrapping Ribbon around Spindle**



<b>1</b>	Ribbon leader
<b>2</b>	Ribbon take-up spindle

7. Turn the ribbon take-up spindle counterclockwise until the ribbon stays on it, as shown.

8. Close the printhead.

Figure 23 shows how your printer should look with the media and ribbon loaded.

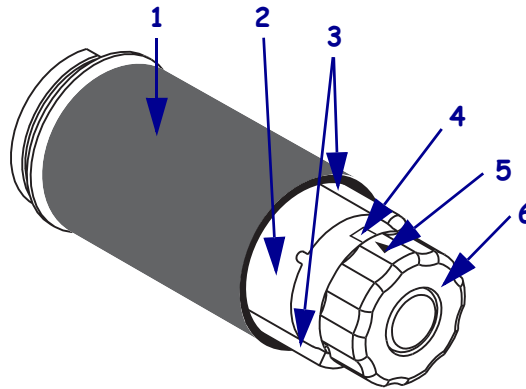
**Figure 23 • Ribbon Loaded in Printer**



## Remove Used Ribbon

When the ribbon has run out or must be changed, remove the used ribbon from the take-up spindle (Figure 24).

**Figure 24 • Ribbon Take-Up Spindle**



<b>1</b>	Used ribbon
<b>2</b>	Ribbon take-up spindle
<b>3</b>	Ribbon release bars
<b>4</b>	Notch in ribbon take-up spindle
<b>5</b>	Arrow on ribbon take-up spindle
<b>6</b>	Ribbon release knob

### To remove used ribbon, complete these steps:

1. Open the printhead.
2. Has the ribbon run out?

<b>If the ribbon...</b>	<b>Then</b>
<b>Ran out</b>	Continue with the next step.
<b>Did not run out</b>	Tear or cut the ribbon as close to the ribbon take-up spindle as possible. <b>Caution</b> • Do not cut through the ribbon that is on the take-up spindle because you may damage the spindle. Use the release knob to slide the ribbon off of the spindle.

3. While holding the ribbon take-up spindle, turn the ribbon release knob clockwise until it stops.  
The ribbon release bars pivot down, easing the spindle's grip on the used ribbon.
4. Slide the used ribbon off of the ribbon take-up spindle.
5. Align the arrow on the ribbon take-up spindle knob with the notch in the ribbon take-up spindle.
6. To load new ribbon, see [Load Ribbon on page 24](#).

## Print a Printer Configuration Label

When you have loaded the media and ribbon (if necessary), print a printer configuration label to use as a record of your printer settings. Keep the label for baseline information on your printer when troubleshooting printing problems.




---

**Caution** • For personal and equipment safety, always use an approved three-conductor power cord specific to the region or country intended for installation. This cord must use an IEC 320 female connector and the appropriate region-specific three-conductor grounded plug configuration.

---

### To print a configuration label, complete these steps:

1. Connect the power cord to the power connection on the back of the printer.
2. To confirm the power connection, turn the printer On (I).  
The printer performs the power-up self test (POST). When the test is complete, PRINTER READY displays on the front panel LCD.
3. Does the front panel LCD display PRINTER READY?

If...	Then...
Yes	Continue with the next step.
No	Go to <a href="#">Troubleshooting on page 103</a> .

4. Turn the printer Off (O).
5. Press and hold CANCEL while turning the printer On (I).
6. Release CANCEL when the DATA light turns off (approximately five seconds).  
The configuration label prints ([Figure 25](#)).
7. Did the label print?

If a configuration label...	Then...
Printed	Connect the printer to your data source. Communication can be handled in many different ways. More information about the options is available in <a href="#">Select a Communication Interface on page 12</a> .
Did not print	Sensors out of position is a common cause of printing problems. Refer to <a href="#">Adjust and Calibrate Sensors on page 33</a> . For additional assistance, refer to <a href="#">Troubleshooting on page 103</a> .

**Figure 25 • Printer Configuration Label**

PRINTER CONFIGURATION	
Zebra Technologies	
ZTC 170Xi111Plus-300dpi	
ZBR4952228	
04.0	DARKNESS
2 IPS	PRINT SPEED
+000	TEAR OFF
TEAR OFF	PRINT MODE
NON-CONTINUOUS	MEDIA TYPE
WEB	SENSOR TYPE
DIRECT-THERMAL	PRINT METHOD
188 00/12 MM	PRINT WIDTH
1830	LABEL LENGTH
39.0IN 988MM	MAXIMUM LENGTH
MEDIA DISABLED	EARLY WARNING
MAINT. OFF	EARLY WARNING
NOT CONNECTED	USB COMM.
BIDIRECTIONAL	PARALLEL COMM.
RS232	SERIAL COMM.
9600	BAUD
8 BITS	DATA BITS
NONE	PARITY
XON/XOFF	HOST HANDSHAKE
NONE	PROTOCOL
000	NETWORK ID
NORMAL MODE	COMMUNICATIONS
<> ZEH	CONTROL PREFIX
<^> SEH	FORMAT PREFIX
<^> ZCH	DELIMITER CHAR
ZPL II	ZPL MODE
CALIBRATION	MEDIA POWER UP
CALIBRATION	HEAD CLOSE
DEFAULT	BACKFEED
+000	LABEL TOP
+0000	LEFT POSITION
0000	HEAD TEST COUNT
0899	HEAD RESISTOR
OFF	VERIFIER PORT
OFF	APPLICATOR PORT
PULSE MODE	START PRINT SIG
FEED MODE	RESYNCH MODE
048	WEB S.
079	MEDIA S.
085	RIBBON S.
089	TAKE LABEL
050	MARK S.
000	MARK MED S.
071	MEDIA LED
036	RIBBON LED
019	MARK LED
+10	LCD ADJUST
DPSMFXM	MODES ENABLED
.....	MODES DISABLED
1984 12/MM FULL	RESOLUTION
V60.13.0.1 <-	FIRMWARE
V30 XN3 56	HARDWARE ID
CUSTOMIZED	CONFIGURATION
NONE	A: COMPACT FLASH
1179K	RAM
NONE	B: MEMORY CARD
2048K	E: ONBOARD FLASH
NONE	FORMAT CONVERT
005 DISPLAY	P32 INTERFACE
007 POWER SUPPLY	P34 INTERFACE
FW VERSION	TWINAX/COAX ID
06/25/98	IDLE DISPLAY
12:28	RTC DATE
152615 IN	RTC TIME
152615 IN	NONRESET CNTR
152615 IN	RESET CNTR1
152615 IN	RESET CNTR2
381538 CM	NONRESET CNTR
381538 CM	RESET CNTR1
381538 CM	RESET CNTR2
29110 LABLS	NONRESET CNTR
29110 LABLS	RESET CNTR1
29110 LABLS	RESET CNTR2
AV12440.04-26-2002.3300B.0D.VH1	
2004-06-15 14:38:11	TIME STAMP

FIRMWARE IN THIS PRINTER IS COPYRIGHTED

## Print a Network Configuration Label

If you are using a print server, you can print a network configuration label after the printer is hooked to the network. A network configuration label lists the settings for the ZebraNet wired print server and the ZebraNet Wireless Print Server (if installed). The active print server is indicated by an asterisk.

### To print a network configuration label, complete these steps:

1. From the front panel, press **SETUP/EXIT**.
2. Scroll through the parameters until you reach **LIST NETWORK**.
3. Confirm printing.

A network configuration label prints (Figure 26).

Figure 26 • Network Configuration Label

Network Configuration	
Zebra Technologies	
NO.....	WIRED PS CHECK?
Printer.....	LOAD LAN FROM?
Wired	
ALL.....	IP PROTOCOL
000.000.000.000....	IP ADDRESS
000.000.000.000....	SUBNET MASK
000.000.000.000....	DEFAULT GATEWAY
000.000.000.000....	WINS SERVER IP
YES.....	TIMEOUT CHECKING
0300.....	TIMEOUT VALUE
0000.....	ARP INTERVAL
9100.....	BASE RAW PORT
Wireless*	
ALL.....	IP PROTOCOL
192.168.001.051....	IP ADDRESS
255.255.255.000....	SUBNET MASK
192.168.001.001....	DEFAULT GATEWAY
192.168.001.003....	WINS SERVER IP
YES.....	TIMEOUT CHECKING
0300.....	TIMEOUT VALUE
0000.....	ARP INTERVAL
9100.....	BASE RAW PORT
YES.....	CARD INSERTED
015FH.....	CARD MFG ID
000AH.....	CARD PRODUCT ID
XXXXXXXXXXXXX....	MAC ADDRESS
YES.....	DRIVER INSTALLED
INFRASTRUCTURE....	OPERATING MODE
125.....	ESSID
100.....	TX POWER
ON.....	1 Mb/s
ON.....	2 Mb/s
ON.....	5.5 Mb/s
ON.....	11 Mb/s
11 Mb/s.....	CURRENT TX RATE
DIVERSITY.....	RECEIVE ANTENNA
DIVERSITY.....	XMIT ANTENNA
OPEN.....	AUTH. TYPE
OFF.....	LEAP MODE
OFF.....	ENCRYPTION MODE
1.....	ENCRYPT. INDEX
020.....	POOR SIGNAL
LONG.....	PREAMBLE
YES.....	ASSOCIATED
2004-06-15 08:48:48	TIME STAMP

asterisk indicating the active print server

FIRMWARE IN THIS PRINTER IS COPYRIGHTED

## Calibrate the Printer

There are five different ways that the printer can be calibrated. You may calibrate the printer as needed.

- **Auto-calibration** occurs when the printer feeds media after the printhead is closed and when the printer is first turned on (see [Media Power Up on page 67](#) and [Head Close on page 67](#) for options). The printer automatically sets the value it detects for the spaces between labels. This type of calibration also happens as part of both the sensor profile and media and ribbon sensor calibration procedures.
- **Long Calibration**, which you select by pressing PAUSE then CALIBRATE, calibrates the printer for media length, media type (continuous or non-continuous), and print mode (thermal or direct thermal transfer) and updates the sensor values. This calibration is the same as what is performed when **Calibration** is selected for the MEDIA POWER UP and HEAD CLOSE parameters. For more information, see [Media Power Up on page 67](#) or [Head Close on page 67](#).
- **Short Calibration**, which is a selection for the MEDIA POWER UP and HEAD CLOSE parameters, uses current sensor values rather than detecting the spaces between labels and resetting the sensors. This calibration sequence may use fewer labels than the long calibration sequence, but it is less reliable because the values that are stored in the sensors could be incorrect. For more information, see [Media Power Up on page 67](#) or [Head Close on page 67](#).
- **Sensor Profile Calibration**, which you select through the front panel, auto-calibrates the printer and prints a media sensor profile. See [Sensor Profile on page 62](#) for instructions.
- **Media and Ribbon Sensor Sensitivity Calibration**, which you select through the front panel, resets the sensitivity of the sensors to detect correctly the media and ribbon that you are using. See [Media and Ribbon Sensor Calibration on page 33](#) for instructions. If you change the type of ribbon and/or media, you might need to reset the sensitivity of the media and ribbon sensors. When the sensors are at their new sensitivity, the printer performs an auto-calibration.



## Adjust and Calibrate Sensors

This section describes how to adjust and calibrate sensors.

### Media and Ribbon Sensor Calibration

Media and ribbon sensor calibration is one of the most common adjustments to the printer settings. This procedure is performed through the front panel.

Indications that the sensitivity may need to be reset are:

- The CHECK RIBBON light is on even though the ribbon is properly installed.
- Non-continuous labels are being treated as continuous labels.



**Note** • Before you begin the calibration procedure, make sure that the maximum length is set to a value 1 in. (25.4 mm) greater than the length of the labels that you are using. If the maximum length is set to a lower value, the calibration process assumes that continuous media is in the printer.



**Important** • This procedure must be followed exactly as presented. All of the steps must be performed even if only one of the sensors requires adjustment. You may press the left oval at any step in this procedure to cancel the procedure.

#### To adjust the sensitivity of media and ribbon sensors, complete these steps:

1. From the front panel, press the right oval to start the calibration procedure.  
The LOAD BACKING prompt displays.
2. Open the printhead.
3. Remove approximately 8 in. (203 mm) of labels from the media backing, and pull the media into the printer so that only the backing is between the media sensors.
4. Leave the printhead open.
5. Press the right oval to continue.  
The REMOVE RIBBON prompt displays.
6. Remove the ribbon (if used).
7. Close the printhead.
8. Press the right oval to continue.  
The message CALIBRATING PLEASE WAIT displays.  
The printer adjusts the scale (gain) of the signals that it receives from the media and ribbon sensors. On the sensor profile, this essentially corresponds to moving the peak of the graph up or down to optimize the readings for your application (for more information, see [Sensor Profile on page 62](#)).  
When calibration is complete, RELOAD ALL displays.
9. Open the printhead and pull the media forward until a label is positioned under the media sensor.
10. Reload the ribbon (if used) into its proper position.

## Printer Operation

### Adjust and Calibrate Sensors

11. Close the printhead.
12. Press the right oval to continue.

The printer does a calibration equivalent to pressing CALIBRATE; during this process, the printer determines the label length. To see the new readings on the new scale, print a sensor profile.

## Transmissive (Media) Sensors

The transmissive sensor consists of two sections: a light source (the lower media sensor) and a light sensor (the upper media sensor). The media passes between the two.

Adjust these sensors only when the printer cannot detect the top of the label. The front panel LCD displays **ERROR CONDITION PAPER OUT**, even though there are labels loaded in the printer.

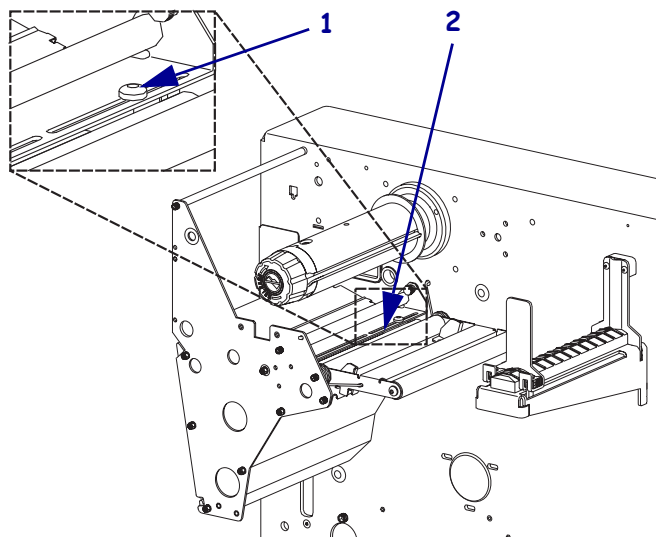


**Note** • For most models of *XiIIIPlus*, the upper media sensor can be positioned along the inside half of the media (the side closest to the back of the printer) or the outside half of the media (the side farthest from the back of the printer). However, for the *220XiIIIPlus*, you cannot move the sensors to the outside half of the media.

**To adjust the upper media sensor for the inside half of the media, complete these steps:**

1. Remove the ribbon (if ribbon is used).
2. Locate the upper media sensor (Figure 27). The upper media sensor eye is directly below the adjustment screw head.

**Figure 27 • Upper Media Sensor Location**



<b>1</b>	Upper media sensor adjustment screw
<b>2</b>	Upper media sensor

3. Slightly loosen the upper media sensor adjustment screw using a Phillips-head screwdriver.
4. Using the tip of the screwdriver, slide the upper sensor along the slot to the desired position (for non-continuous media with a notch or hole in the media, the sensor must be directly above the notch or hole).
5. Tighten the adjustment screw to secure the upper media sensor.

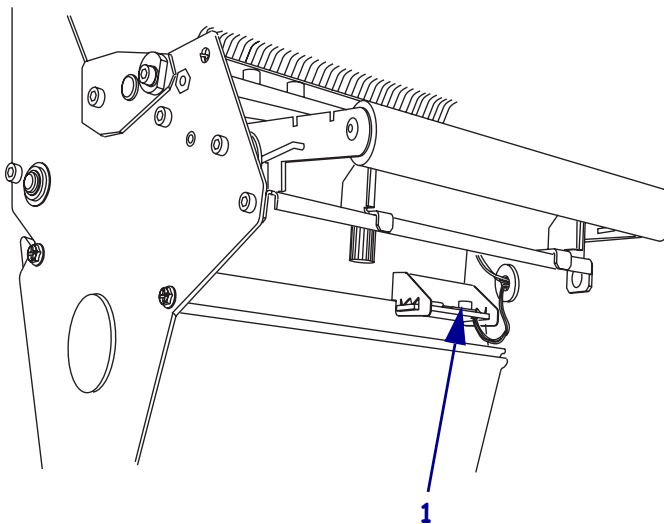
**To adjust the upper media sensor for the outside half of the media (all models except the 220XIIIPlus):**

1. Remove the ribbon (if ribbon is used).
2. Locate the upper media sensor. The upper media sensor eye is directly below the adjustment screw head.
3. Remove the upper media sensor adjustment screw using a Phillips-head screwdriver.
4. Lift the upper media sensor assembly from the slot, and move it and the wire cover to the outside slot. Carefully pull the wires through the cable tie. You may need to set aside the sensor wire cover if the adjustment is too far to the outside.
5. Replace and slightly tighten the adjustment screw.
6. Slide the upper media sensor along the slot to the desired position (for non-continuous media with a notch or hole in the media, the sensor must be directly above the notch or hole).
7. Tighten the adjustment screw.
8. Make sure that the wires are routed back into the groove of the media sensor bracket.

**To adjust the lower media sensor, complete these steps:**

1. Locate the lower media sensor assembly under the rear roller (Figure 28). The sensor is a spring clip holding a circuit board.

**Figure 28 • Lower Media Sensor Location**



<b>1</b>	Lower media sensor
----------	--------------------

2. Slide the lower sensor until it is under the upper media sensor. Gently pull wires out as needed (wires should have a little slack).
3. If you move the sensor inward and a large loop of wire develops, remove the electronics cover from the side of the printer, and gently pull the wires through. Clamp the wires so that they do not rub any drive belts.

## Adjust Printhead Pressure and Toggle Position

Printhead pressure is one factor that affects print quality. If the toggle pressure is too light or uneven, the labels and ribbon may slip.



**Important** • Print quality depends on the labels and ribbon used as well as the toggle pressure. Make sure that your labels and ribbon are right for your application.

- **Direct thermal media** does not need ribbon.
- **Thermal transfer media** needs ribbon.

### Toggle Position Adjustment

Toggle adjustment may be needed if printing is too light on one side or if thick labels are used. The toggles should be positioned so they provide even pressure on the labels. Slide the toggles to the desired location.

- If you are using a *90XiIIIPlus* or *96XiIIIPlus* printer, position the single toggle over the center of the labels.
- All other printer models have two toggles. If the labels are too narrow to fit both toggles, position one toggle over the center of the labels and decrease the pressure on the unused toggle.

### Printhead Pressure Adjustment

If positioning the toggles properly does not solve the problem, adjust printhead pressure. Maximize printhead life by using the lowest pressure that produces the desired print quality.



---

**Caution** • Observe proper electrostatic safety precautions when handling any static-sensitive components such as circuit boards and printheads.

---

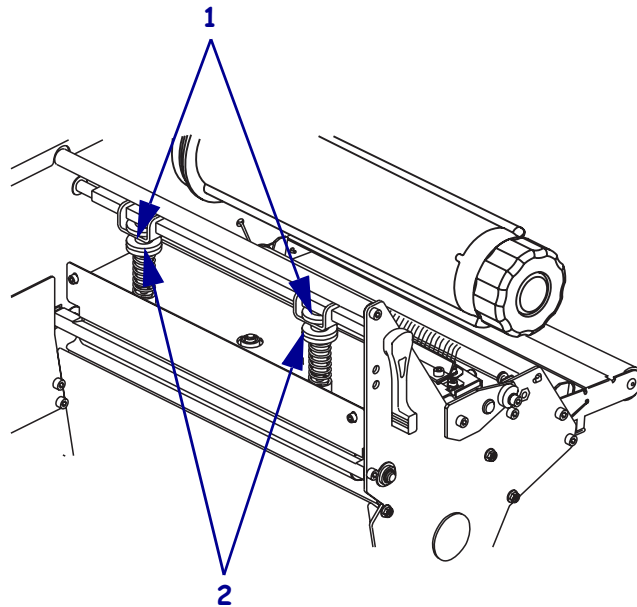
#### To adjust printhead pressure, complete these steps:

1. Print some labels at 2.4 in. (61 mm) per second by running the *PAUSE Self Test* on page 115.
2. While printing labels, use the front panel controls to lower the darkness setting until the labels are printing gray instead of black.
3. Loosen the locking nuts at the top of the toggle assemblies (Figure 29). (The *90XiIIIPlus* and *96XiIIIPlus* printers have only one toggle.)

## Printer Operation

### Adjust Printhead Pressure and Toggle Position

Figure 29 • Toggle Assemblies



<b>1</b>	Locking nuts
<b>2</b>	Adjusting nuts

4. Some media types require higher pressure to print well. For these media types, increase or decrease pressure using the adjusting nuts until the left and right edges of the printed area are equally dark.
5. Increase the darkness level using the front panel controls until the printing is clear.
6. Tighten the locking nuts.




---

# Print Modes and Options

This chapter describes the print modes and other options available for the *XiIIIPlus* printer.

## Contents

RFID-Ready Capability .....	40
XML-Enabled Printing .....	40
Print Modes .....	41
Tear-Off Mode .....	41
Peel-Off Mode .....	42
Cutter Mode .....	44
Rewind Mode .....	46
Rewind Mode with Cutter Option .....	49
Remove Backing or Labels from Rewind Spindle .....	51

## RFID-Ready Capability

You may choose to have certain models of the *XiIIIPlus* printer configured as RFID-ready. The standard printer is altered so that an RFID reader/antenna may be installed easily at a later date. Contact your authorized Zebra RFID reseller for more information about the RFID-ready option.

## XML-Enabled Printing

The XML-Enabled Printing option offers increased flexibility and interoperability by making it possible to integrate Zebra printers quickly and easily into most Enterprise Resource Planning (ERP) systems and their applications. XML-enabled printers print directly from Oracle Warehouse Management System (WMS), Mobile Supply Chain Applications (MSCA), and many other ERP vendor applications. XML-enabled label formats upload directly to the label printer, and the XML data stream is sent via TCP/IP directly to the appropriate Zebra printer. Contact your authorized Zebra XML-Certified reseller for more information about the XML-Enabled Printing option.



## Print Modes

The options on your printer may let you set up additional print modes. Use the front panel controls to set up the printer to the print mode that you wish to use.

The following are the print mode selections available through the front panel. Some of them require that the option be purchased.

- Tear-off
- Peel-off
- Cutter
- Rewind
- Applicator (used only if a machine will apply printed labels to something)

### To select a print mode, complete these steps:

1. From the front panel, press SETUP/EXIT.
2. Press NEXT/SAVE until the LCD reads PRINT MODE.
3. Use the right or left oval to scroll through the choices. Be sure to select a print mode that your hardware supports—some of the selections displayed are for optional printer features.
4. To save your selection, press SETUP/EXIT.

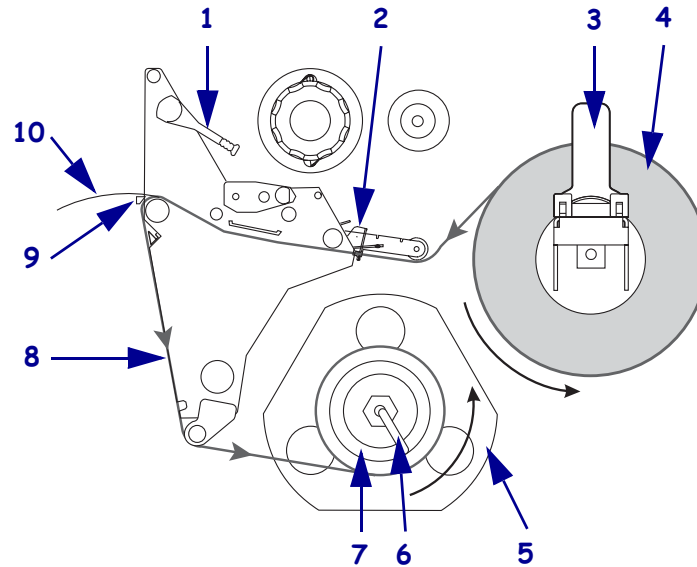
## Tear-Off Mode

See [Load the Printer on page 20](#) to set up labels in Tear-Off Mode.

## Peel-Off Mode

Peel-Off Mode (Figure 30) advances one label at a time. The printer does not print another label until the first label is removed. The TAKE LABEL light flashes until the label is removed. The backing is wound on the rewind spindle, but the rewind plate is not used.

Figure 30 • Media Loaded in Peel-Off Mode



1	Printhead lever
2	Media guide
3	Media supply guide
4	Media
5	Guide plate
6	Spindle hook
7	Rewind spindle
8	Label backing
9	Tear-off bar
10	Printed label

### To set up the printer in Peel-Off Mode, complete these steps:

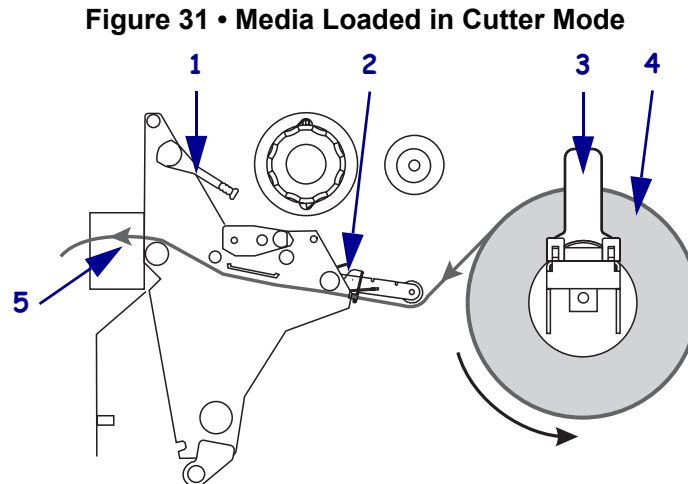
1. Remove the rewind plate (if installed) from the front of the printer. Store it on the two mounting screws on the inside of the front panel.
2. From the front panel, select Peel-Off Mode.
3. Open the printhead.
4. Slide the media guide and media supply guide as far from the printer frame as possible.
5. Flip down the media supply guide.
6. Put the roll of media on the media hanger.
7. Push the label core toward the printer frame. The labels must be aligned with the label core.
8. Feed the media under the media guide roller and under the printhead.

9. Adjust the media supply guide so it is just touching the edge of the media.
10. When loading labels, allow approximately 36 in. (915 mm) of labels to extend past the tear-off/peel-off bar. Remove all labels from this portion to create a leader.
11. Remove the hook from the rewind spindle. If you are using a core, slide it onto the rewind spindle until it is flush against the guide plate.
12. Wind the label backing around either the 3 in. (76 mm) core or the rewind spindle and reinstall the hook.
13. Flip up the media supply guide. Slide in the media guide and media supply guide so they just touch, the edge of the labels. The labels should lie flat.
14. Before closing the printhead, make sure that:
  - The labels are positioned against the inside guides.
  - The labels are taut and parallel with the pathway when wound onto the rewind spindle or core.
15. Close the printhead.  
The backing winds on the rewind spindle or core.
16. For instructions for removing the backing from the rewind spindle, see [Remove Backing or Labels from Rewind Spindle](#) on page 51.

## Cutter Mode

A cutter is a rotating knife with a self-sharpening blade that is attached to the front of the printer. The cutter is used to cut individual labels as they are printed. See [www.zebra.com](http://www.zebra.com) for more information about the Cutter option.

Figure 31 shows the printer loaded with labels in Cutter mode.



<b>1</b>	Printhead lever
<b>2</b>	Media guide
<b>3</b>	Media supply guide
<b>4</b>	Media
<b>5</b>	Cutter

### To set up the printer in Cutter Mode, complete these steps:

1. Turn the printer On (I).
2. From the front panel, select Cutter Mode.
3. Open the printhead.
4. Slide the media guide and media supply guide as far from the printer frame as possible.
5. Flip down the media supply guide.
6. Put the roll of media on the media hanger.
7. Push the label core toward the printer frame. The labels must be aligned with the label core.
8. Feed the media under the media guide roller and under the printhead.
9. Feed the labels through the cutter mechanism.



---

**Caution** • The cutter blade is sharp. Do not rub or touch the blade with your fingers.

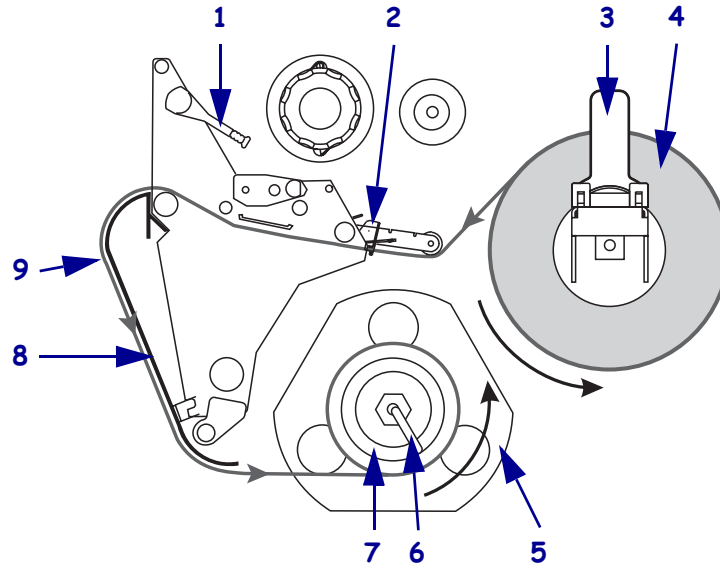
---

10. Flip up the media supply guide.
11. Slide in the media guide and media supply guide so they just touch, but do not restrict, the edge of the roll.
12. Before closing the printhead, make sure that:
  - The labels are positioned against the inside guides.
  - The labels are taut and parallel with the pathway when wound onto the rewind spindle or core.
13. Close the printhead.

## Rewind Mode

Rewind Mode (Figure 32) allows the media to be wound on a core after printing.

Figure 32 • Media Loaded in Rewind Mode



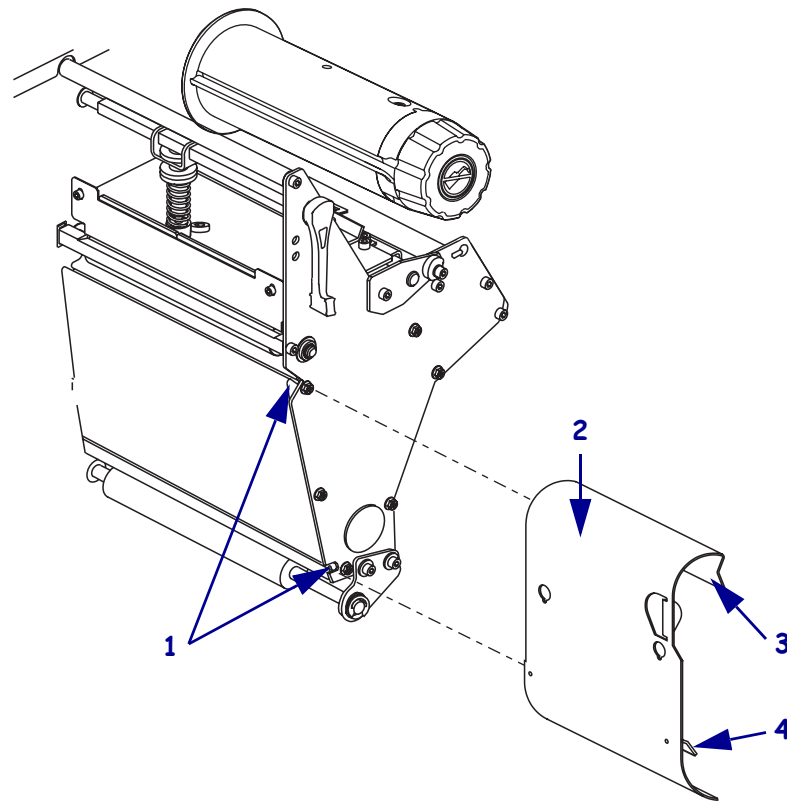
1	Printhead lever
2	Media guide
3	Media supply guide
4	Labels
5	Guide plate
6	Spindle hook
7	Rewind spindle
8	Rewind plate for Rewind Mode only
9	Printed labels

### To install the rewind plate, complete these steps:

1. Remove the rewind plate from its storage location inside the printer.
2. Position the rewind plate so that the lip on the attached hook plate points down.
3. Insert the hook plate lip 1/2 in. (13 mm) into the lower slot in the side plate.
4. Align the upper end of the rewind plate with the matching slot in the side plate.
5. Slide in the rewind plate until it stops against the printer's main frame.

Figure 33 shows the rewind plate and where it hooks to the printer.

Figure 33 • Rewind Plate



<b>1</b>	Slots
<b>2</b>	Rewind plate
<b>3</b>	Lip
<b>4</b>	Adjustable hook plate

**To set up the printer in Rewind Mode, complete these steps:**

1. If you have not already done so, install the rewind plate.
2. From the front panel, select Rewind Mode.
3. Open the printhead.
4. Slide the media guide and media supply guide as far from the printer frame as possible. Flip down the media supply guide.
5. Put the roll of media on the media hanger.
6. Push the label core toward the printer frame. The labels must be aligned with the label core.
7. Feed the media under the media guide roller and under the printhead.
8. Adjust the media supply guide so it is just touching the edge of the media.
9. When loading labels, allow approximately 36 in. (915 mm) of labels to extend past the printhead. Remove all labels from this portion to create a leader.
10. Remove the hook from the rewind spindle. If you are using a core, slide it onto the rewind spindle until it is flush against the guide plate.

## Print Modes and Options

### Print Modes

11. Wind the label backing around either the 3 in. (76 mm) core or the rewind spindle.  
Reinstall the hook.
12. Flip up the media supply guide. Slide in the media guide and media supply guide so they just touch the edge of the labels. The labels should lie flat.
13. Before closing the printhead, make sure that:
  - The labels are positioned against the inside guides.
  - The labels are taut and parallel to the pathway when wound onto the rewind spindle or core.
14. Close the printhead.  
The labels wind on the rewind spindle or core.
15. For instructions for removing the backing from the rewind spindle, see [Remove Backing or Labels from Rewind Spindle on page 51](#).



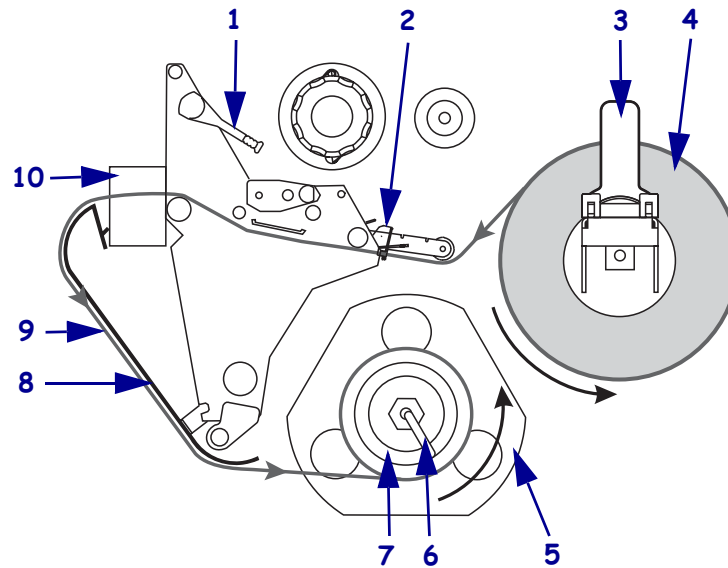
## Rewind Mode with Cutter Option

Printers with the Cutter option can use the Rewind mode to print and save a roll of labels (Figure 34). See [www.zebra.com](http://www.zebra.com) for more information about the Cutter option.



**Note** • Rewind mode cannot be used with the Cutter option on 110XiIIIPlus printers.

**Figure 34 • Media Loaded in Rewind Mode with Cutter Option**



1	Printhead lever
2	Media guide
3	Media supply guide
4	Labels
5	Guide plate
6	Spindle hook
7	Rewind spindle
8	Rewind plate for Rewind Mode with Cutter option
9	Printed label
10	Cutter

**To set up the Rewind Mode for printers with the cutter option, complete these steps:**

1. Turn the printer On (I).  
The printer feeds out and cuts one label.
2. From the front panel, select Rewind Mode.
3. Remove the rewind plate from its storage location in front of the print mechanism inside the media compartment.
4. Invert the rewind plate so that the lip on the attached hook plate points down.

5. Insert the hook plate lip 1/2 in. (13 mm) into the lower opening in the side plate. Slide in the rewind plate until it stops against the printer's main frame.
6. Insert the two small tabs on the rewind plate into the corresponding slots in the cutter support bracket. (The rewind plate should spring into the proper position.)
7. Open the printhead.
8. Slide the media guide and media supply guide as far from the printer frame as possible.
9. Flip down the media supply guide.
10. Put the roll of media on the media hanger.
11. Push the label core toward the printer frame. The labels must be aligned with the label core.
12. Feed the media under the media guide roller and under the printhead.
13. Feed the labels through the cutter mechanism.



---

**Caution** • The cutter blade is sharp. Do not rub or touch the blade with your fingers.

---

14. When loading labels, allow approximately 36 in. (915 mm) of labels to extend past the printhead. Remove all labels from this portion to create a leader.
15. Adjust the media supply guide so it is just touching the edge of the media.
16. Remove the hook from the rewind spindle.
17. If you are using a core, slide it onto the rewind spindle until it is flush against the guide plate.
18. Wind the label backing around either the 3 in. (76 mm) core or the rewind spindle.
19. Reinstall the hook.
20. Flip up the media supply guide.
21. Slide in the media guide and media supply guide so they just touch, but do not restrict, the edge of the roll.
22. Before closing the printhead, make sure that:
  - The labels are positioned against the inside guides.
  - The labels are taut and parallel with the pathway when wound onto the rewind spindle or core.
23. Close the printhead.

The labels wind on the rewind spindle or core.
24. For instructions for removing the labels from the rewind spindle, see [Remove Backing or Labels from Rewind Spindle on page 51](#).

## Remove Backing or Labels from Rewind Spindle

Rewind mode and Peel-Off mode use the rewind spindle. The label backing or printed labels must be removed every time you change labels for the printer to work correctly.



**Important** • It is **not** necessary to turn off the power to remove backing from the rewind spindle. If power is turned off, all label formats and images, as well as any temporarily saved parameter settings stored in the printer's internal memory, are lost. When power is turned back on, these items must be reloaded.

### To remove label backing from the rewind spindle, complete these steps:

1. Have the labels run out?

If...	Then...
Yes	Continue with the next step.
No	<ol style="list-style-type: none"> <li>a. Unwind approximately 36 in. (915 mm) of backing from the rewind spindle.</li> <li>b. Cut or tear it off at the spindle.</li> </ol>

2. Pull out the spindle hook.
3. Slide the backing off of the rewind spindle and discard.
4. Replace the spindle hook.





---

# Front Panel Controls

This chapter describes the function of the front panel.

## Contents

Overview .....	54
Enter Setup Mode .....	54
Exit Setup Mode .....	55
Password-Protected Parameters .....	56
Default Password Value .....	56
Disable the Password Protection Feature .....	56
Front Panel LCD .....	57
ZebraNet® Wired and Wireless Print Server LCD Displays .....	73

## Overview

After you have installed media and ribbon and printed a configuration label, you can change the printer's settings using the front panel controls. For an overview of the front panel, including descriptions of the buttons and lights, see [Front Panel on page 3](#). If you need to restore the printer to its factory default settings, see [FEED and PAUSE Self Test on page 117](#).

Many printer settings may be controlled by your printer's driver or label preparation software. Refer to the driver or software documentation for more information.



**Note** • Printers that are operating on an IP network can be quickly configured in the following ways:

- with ZebraLink™ WebView (ZebraNet® PrintServer II or 10/100 Print Server required). For information, see the *ZebraNet Networking: PrintServer II Installation and User Guide* or the *ZebraNet 10/100 Print Server User and Reference Guide*.
- with the SetWLAN configuration utility (ZebraNet Wireless Print Server required). For information, see the *ZebraNet Wireless Print Server User Guide*.

## Enter Setup Mode

**To enter Setup Mode, complete these steps:**

1. Press SETUP/EXIT to enter Setup Mode.
2. Press either NEXT/SAVE or PREVIOUS to scroll through the parameters.

## Exit Setup Mode

### To leave Setup Mode, complete these steps:

1. Press SETUP/EXIT.  
The LCD displays `SAVE CHANGES`.
2. Press the left or right oval to display the save options (Table 4).

**Table 4 • Save Options When Leaving Setup Mode**

LCD Display	Description
PERMANENT	Permanently saves the changes. Values are stored in the printer even when power is turned off.
TEMPORARY	Saves the changes until you change them again or until power is turned off.
CANCEL	Cancels all changes from the time you pressed SETUP/EXIT except the darkness and tear-off settings (if they were changed).
LOAD DEFAULTS	Sets all parameters other than the network settings back to the factory defaults. To see the factory default values, see <a href="#">Front Panel LCD on page 57</a> . <b>Note</b> • Loading factory defaults causes the printer to auto-calibrate.
LOAD LAST SAVE	Loads values from the last permanent save.
DEFAULT NET	Sets the wired and wireless network settings back to factory defaults.

3. Press NEXT/SAVE to select the displayed choice.  
When the configuration and calibration sequence is done, `PRINTER READY` displays.

## Password-Protected Parameters

Certain parameters are password-protected by factory default, including the communication parameters.



**Note** • If the parameters are set incorrectly, the printer may function unpredictably.

The first attempt to change a password-protected parameter (pressing one of the ovals) requires you to enter a four-digit password at the `ENTER PASSWORD` display. The left oval changes the selected digit position; the right oval increases the selected digit value. After entering the password, press `NEXT/SAVE`. The parameter you wish to change is displayed. If the password was entered correctly, you can now change the value.

The first time that you attempt to change a password-protected parameter, the printer displays `ENTER PASSWORD`. Before you can change the parameter, you must enter the four-digit password. After you have entered the password correctly, you do not have to enter it again unless you leave Setup Mode by pressing `SETUP/EXIT` or by turning the printer Off (O).

### To Enter a Password for a Password-Protected Parameter, complete these steps:

1. At the password prompt, use the left oval to change the selected digit position.
2. When you have selected the digit that you wish to change, use the right oval to increase the selected digit value. Repeat these two steps for each digit of the password.
3. After entering the password, press `NEXT/SAVE`.

The parameter you selected to change is displayed. If the password was entered correctly, you can change the value.

## Default Password Value

The default password value is **1234**. The password can be changed using the `^KP` (Define Password) ZPL II instruction or through ZebraLink™ WebView (ZebraNet® PrintServer II, 10/100 Print Server, or Wireless Print Server required).

## Disable the Password Protection Feature

You can disable the password protection feature so that it no longer prompts you for a password by setting the password to **0000** via the `^KPØ` ZPL/ZPL II command. To reenable the password-protection feature, send the ZPL/ZPL II command `^KPx`, where **x** can be any number from 1 to 9999.



## Front Panel LCD

Use the LCD display on the front panel to adjust printer settings. [Table 5](#) shows parameters in the order in which they are displayed when you press **NEXT/SAVE** after entering setup mode. Throughout this process, press **NEXT/SAVE** to continue to the next parameter, or press **PREVIOUS** to return to the previous parameter in the cycle. [Table 6 on page 73](#) shows the additional parameters that appear when a wired or wireless print server is installed in the printer.

**Table 5 • Printer Parameters (Sheet 1 of 16)**

Parameter	Action/Explanation
DARKNESS	<p><b>Adjusting Print Darkness</b></p> <p>Darkness settings depend on a variety of factors, including ribbon type, labels, and the condition of the printhead. You may adjust the darkness for consistent high-quality printing.</p> <p>If printing is too light, or if there are voids in printed areas, you should increase the darkness. If printing is too dark, or if there is spreading or bleeding of printed areas, you should decrease the darkness. Darkness settings also may be changed by the driver or software settings.</p> <p>The FEED Self Test described in <a href="#">FEED Self Test on page 116</a> can also be used to determine the best darkness setting. Because the darkness setting takes effect immediately, you can see the results on labels that are currently printing.</p> <p><b>Important</b> • Set the darkness to the lowest setting that provides good print quality. If the darkness is set too high, the ink may smear, the ribbon may burn through, or the printhead may wear prematurely.</p> <ul style="list-style-type: none"> <li>• Press the right oval to increase darkness.</li> <li>• Press the left oval to decrease darkness.</li> </ul> <p><b>Default:</b> +4 <b>Range:</b> 0 to +30.0</p>
PRINT SPEED	<p><b>Adjusting Print Speed</b></p> <p>Slower print speeds typically yield better print quality. Print speed changes take effect upon exiting the menu mode.</p> <ul style="list-style-type: none"> <li>• Press the right oval to increase print speed.</li> <li>• Press the left oval to decrease print speed.</li> </ul> <p><b>Default:</b> 2 ips <b>Range:</b> 2 ips to +12 ips (depends on specific printer)</p>
TEAR OFF	<p><b>Adjusting the Tear-Off Position</b></p> <p>This parameter establishes the position of the labels over the tear-off/peel-off bar after printing.</p> <p>Each press of an oval adjusts the tear-off position by four dot rows.</p> <ul style="list-style-type: none"> <li>• Press the right oval to increase value.</li> <li>• Press the left oval to decrease value.</li> </ul> <p><b>Default:</b> +0 <b>Range:</b> -120 to +120</p>

Table 5 • Printer Parameters (Sheet 2 of 16)

Parameter	Action/Explanation
PRINT MODE	<p><b>Selecting Print Mode</b></p> <p>Print mode settings tell the printer the method of label delivery that you wish to use. Be sure to select a print mode that your hardware configuration supports because some of the selections displayed are for optional printer features.</p> <ul style="list-style-type: none"> <li>• Press either oval to display choices.</li> </ul> <p><b>Default:</b> Tear-Off  <b>Selections:</b> Tear-Off, Peel-Off, Cutter, Applicator, Rewind  <b>Note</b> • Only Tear-Off mode is supported.</p>
MEDIA TYPE	<p><b>Setting Media Type</b></p> <p>This parameter tells the printer the type of media that you are using. Selecting continuous media requires that you include a label length instruction in your label format (^LLxxxx if you are using ZPL or ZPL II).</p> <p>When non-continuous media is selected, the printer feeds media to calculate label length (the distance between two recognized registration points of the inter-label gap, webbing, or alignment notch or hole).</p> <ul style="list-style-type: none"> <li>• Press either oval to display choices.</li> </ul> <p><b>Default:</b> Continuous  <b>Selections:</b> Continuous, Non-Continuous</p>
SENSOR TYPE	<p><b>Setting the Sensor Type</b></p> <p>This parameter tells the printer whether you are using media with a web (gap/space between labels, notch, or hole) to indicate the separations between labels or if you are using media with a black mark printed on the back. If your media does not have black marks for registration on the back, leave your printer at the default (web).</p> <ul style="list-style-type: none"> <li>• Press either oval to display other choices.</li> </ul> <p><b>Default:</b> Web  <b>Selections:</b> Web, mark</p>
PRINT METHOD	<p><b>Selecting Print Method</b></p> <p>The print method parameter tells the printer the method of printing that you wish to use: direct thermal (no ribbon) or thermal transfer (using thermal transfer media and ribbon).</p> <ul style="list-style-type: none"> <li>• Press either oval to display choices.</li> </ul> <p><b>Default:</b> Thermal transfer  <b>Selections:</b> Thermal transfer, direct thermal  <b>Note</b> • Selecting direct thermal when using thermal transfer media and ribbon creates a printer error condition, but printing continues.</p>

Table 5 • Printer Parameters (Sheet 3 of 16)

Parameter	Action/Explanation
PRINT WIDTH	<p><b>Setting Print Width</b></p> <p>Print width determines the printable area across the width of the label.</p> <p>To change value shown:</p> <ol style="list-style-type: none"> <li>1. Press the left oval to move the cursor.</li> <li>2. Press the right oval to increase the value of the digit.</li> </ol> <p><b>Note</b> • The printer does not accept any value larger than the maximum print width listed in <a href="#">General Specifications on page 122</a>.</p> <p>To change the unit of measurement:</p> <ol style="list-style-type: none"> <li>a. Press the left oval until the unit of measurement is active.</li> <li>b. Press the right oval to toggle to a different unit of measure (mm, inches, or dots).</li> </ol> <p><b>Default Range:</b> The default and range of acceptable values vary depending on what printer you have. See <a href="#">General Specifications on page 122</a> for further information about the ranges available for your model.</p>
MAXIMUM LENGTH	<p><b>Setting Maximum Length</b></p> <p>Maximum length is used in conjunction with the calibration procedure. The value of this setting is the maximum label length that is used during the media portion of the calibration process. Only a few labels are required to set media sensors. Always set the value that is at least 1 in. (25.4 mm) longer than the longest label to be used on the printer.</p> <ul style="list-style-type: none"> <li>• To increase the value, press the right oval.</li> <li>• To decrease the value, press the left oval.</li> </ul> <p><b>Default Range:</b> The default and range of acceptable values vary depending on your printer's configuration. Values are adjustable in 1 in. (25.4 mm) increments.</p>

Table 5 • Printer Parameters (Sheet 4 of 16)

Parameter	Action/Explanation
EARLY WARNING	<p><b>Setting Early Warning</b></p> <p>When this parameter is enabled, the printer provides warnings when labels or ribbons are running low or when the printhead needs to be cleaned.</p> <p><b>Note</b> • Labels per roll and ribbon length need to be updated when beginning use of the Early Warning System. Also, the printer does not make any adjustments when power is turned off and on.</p> <ul style="list-style-type: none"> <li>• Press the right or left oval to display other choices.</li> </ul> <p><b>Default:</b> MEDIA DISABLED, RIBBON DISABLED, MAINTENANCE DISABLED  <b>Selections:</b> MEDIA DISABLED, MEDIA ENABLED, RIBBON DISABLED, RIBBON ENABLED, MAINTENANCE DISABLED, MAINTENANCE ENABLED</p> <p>To change the Early Warning settings,</p> <ol style="list-style-type: none"> <li>1. When the LCD displays EARLY WARNING, press the right or left oval until the desired setting is listed on the LCD. (If you are prompted for a password, enter your password using the instructions in <a href="#">Password-Protected Parameters on page 56.</a>)</li> <li>2. Press NEXT/SAVE to access the next early warning option.</li> <li>3. Repeat this process to set the early warning for ribbon or maintenance (printhead cleaning). <ul style="list-style-type: none"> <li>When the printer detects that less than 15% of the labels or ribbon remain, WARNING MEDIA LOW or WARNING RIBBON LOW appears on the LCD. If the alert function has been enabled, an alert is also sent. When the printhead is opened then closed after a media or ribbon warning has been received, the LCD prompts with MEDIA REPLACED? or RIBBON REPLACED?. Press the right oval to select YES to clear the warning and reset the label counter.</li> <li>When setting the Early Warning for maintenance, the LCD prompts HEAD CLEAN?.</li> </ul> </li> <li>4. Press the right oval to select YES.</li> <li>5. Press SETUP/EXIT to exit setup mode.</li> <li>6. Press NEXT/SAVE to save changes.</li> </ol>
LABELS PER ROLL	<p><b>Setting Labels Per Roll</b></p> <p>This parameter needs to be updated when setting the Early Warning System so the printer can provide early warnings when labels are running low.</p> <ul style="list-style-type: none"> <li>• Press the right or left oval to display other choices.</li> </ul> <p><b>Default:</b> 900 labels  <b>Range:</b> 100 labels to 9999 labels</p>
RIBBON LENGTH	<p><b>Setting Ribbon Length</b></p> <p>This parameter must be updated when setting the Early Warning System so the printer can provide early warnings when ribbon is running low.</p> <ul style="list-style-type: none"> <li>• Press the right or left oval to display other choices.</li> </ul> <p><b>Default:</b> 450 m  <b>Range:</b> 100 m to 450 m</p>

Table 5 • Printer Parameters (Sheet 5 of 16)

Parameter	Action/Explanation
LIST FONTS	<p><b>List Fonts</b></p> <ul style="list-style-type: none"> <li>Press the right oval to print a label that lists the available fonts in the printer, including standard printer fonts plus any optional fonts. Fonts may be stored in RAM, Flash memory, font EPROMs, or font cards.</li> </ul>
LIST BAR CODES	<p><b>List Bar Codes</b></p> <ul style="list-style-type: none"> <li>Press the right oval to print a label that lists the available bar codes in the printer.</li> </ul>
LIST IMAGES	<p><b>List Images</b></p> <ul style="list-style-type: none"> <li>Press the right oval to print a label that lists the available images stored in the printer's RAM, Flash memory, optional EPROM, or optional memory card.</li> </ul>
LIST FORMATS	<p><b>List Formats</b></p> <ul style="list-style-type: none"> <li>Press the right oval to print a label that lists the available formats stored in the printer's RAM, Flash memory, optional EPROM, or optional memory card.</li> </ul>
LIST SETUP	<p><b>List Setup</b></p> <ul style="list-style-type: none"> <li>Press the right oval to print a label that lists the current printer configuration. (Same label as shown in <i>Print a Printer Configuration Label on page 29.</i>)</li> </ul>
LIST NETWORK	<p><b>List Network Settings</b></p> <p>This selection is used to print a network configuration label, which lists the settings for the wired ZebraNet PrintServer II (PSII) and the ZebraNet Wireless Print Server (if installed).</p> <ul style="list-style-type: none"> <li>Press the right oval to print a label that lists the current network configuration. (Same label as shown in <i>Print a Network Configuration Label on page 31.</i>)</li> </ul>
LIST ALL	<p><b>List All</b></p> <ul style="list-style-type: none"> <li>Press the right oval to print labels that list the available fonts, bar codes, images, formats, and the current printer and network configurations.</li> </ul>
FORMAT CARD A            B	<p><b>Format Memory Card</b></p> <p><b>Caution</b> • Perform this operation only when it is necessary to erase all previously stored information from the memory card.</p> <ol style="list-style-type: none"> <li>When the LCD displays INITIALIZE CARD, press the left oval to select the A memory (internal CompactFlash) or the right oval to select B memory (PCMCIA card). (If you are prompted for a password, enter your password using the instructions in <i>Password-Protected Parameters on page 56.</i>) The front panel LCD asks ARE YOU SURE?.</li> <li>Do you wish to continue? <ul style="list-style-type: none"> <li>Press the left oval to select NO to cancel the request and return to INITIALIZE CARD prompt.</li> <li>Press the right oval to select YES and begin initialization. FORMATTING CARD displays. When formatting is complete, INITIALIZE CARD displays.</li> </ul> </li> </ol> <p><b>Note</b> • Depending on the amount of memory in the memory card, initialization may take up to three minutes to complete.</p>

Table 5 • Printer Parameters (Sheet 6 of 16)

Parameter	Action/Explanation
INIT FLASH MEM	<p><b>Initialize Flash Memory</b></p> <p><b>Caution</b> • Perform this operation only when it is necessary to erase all previously stored information from Flash memory.</p> <ol style="list-style-type: none"> <li>When the LCD displays INITIALIZE CARD, press the right oval to select YES. (If you are prompted for a password, enter your password using the instructions in <a href="#">Password-Protected Parameters on page 56.</a>) The LCD asks INITIALIZE FLASH.</li> <li>Press the right oval to select YES. The LCD asks ARE YOU SURE?</li> <li>Do you wish to continue? <ul style="list-style-type: none"> <li>Press the left oval to select NO to cancel the request and return to the INIT FLASH MEM prompt.</li> <li>Press the right oval to select YES and begin initialization. When formatting is complete, INIT FLASH MEM displays.</li> </ul> </li> </ol>
SENSOR PROFILE	<p><b>Sensor Profile</b></p> <p>The media sensor profile may be used to troubleshoot registration problems that may be caused when the media sensor detects preprinted areas on the media or experiences difficulty in determining web location.</p> <ul style="list-style-type: none"> <li>Press the right oval to start this standard calibration procedure and print a media sensor profile.</li> </ul> <p><a href="#">Figure 35</a> shows a media sensor profile. If the sensitivity of the media and/or ribbon sensors must be adjusted, use <a href="#">Calibrate Media and Ribbon Sensors on page 63</a> to adjust the media and ribbon sensor sensitivity.</p>

Figure 35 • Media Sensor Profile

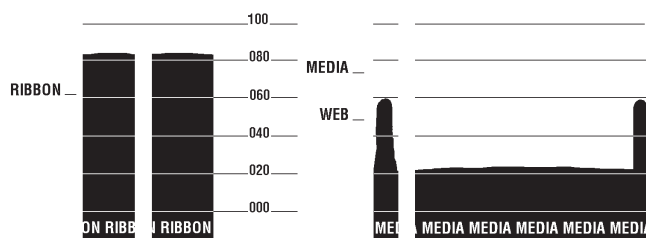


Table 5 • Printer Parameters (Sheet 7 of 16)

Parameter	Action/Explanation
MEDIA AND RIBBON CALIBRATE	<p><b>Calibrate Media and Ribbon Sensors</b></p> <p>Use this procedure to adjust sensitivity of media and ribbon sensors.</p> <p><b>Important</b> • This procedure must be followed exactly as presented. All of the steps must be performed even if only one of the sensors requires adjustment. You may press the left oval at any step in this procedure to cancel the procedure.</p> <ol style="list-style-type: none"> <li>1. Press the right oval to start the calibration procedure. The <code>LOAD BACKING</code> prompt displays.</li> <li>2. Open the printhead.</li> <li>3. Remove approximately 8 in. (203 mm) of labels from the backing, and pull the media into the printer so that only the backing is between the media sensors.</li> <li>4. Leave the printhead open.</li> <li>5. Press the right oval to continue. The <code>REMOVE RIBBON</code> prompt displays.</li> <li>6. Remove the ribbon.</li> <li>7. Close the printhead.</li> <li>8. Press the right oval to continue. The message <code>CALIBRATING PLEASE WAIT</code> displays. The printer adjusts the scale (gain) of the signals that it receives from the media and ribbon sensors. On the sensor profile, this essentially corresponds to moving the peak of the graph up or down to optimize the readings for your application. When calibration is complete, <code>RELOAD ALL</code> displays.</li> <li>9. Open the printhead and pull the media forward until a label is positioned under the media sensor.</li> <li>10. Reload the ribbon.</li> <li>11. Close the printhead.</li> <li>12. Press the right oval to continue. The printer does a calibration equivalent to pressing <code>CALIBRATE</code>; during this process, the printer determines the label length. To see the new readings on the new scale, print a sensor profile.</li> </ol>
PARALLEL COMM	<p><b>Setting Parallel Communications</b></p> <p>Select the communications port that matches the one being used by the host computer.</p> <ul style="list-style-type: none"> <li>• Press the right or left oval to display other choices.</li> </ul> <p><b>Default:</b> Bidirectional <b>Selections:</b> Bidirectional, unidirectional, or Twinax/coax</p>
SERIAL COMM	<p><b>Setting Serial Communications</b></p> <p>Select the communications port that matches the one being used by the host computer.</p> <ul style="list-style-type: none"> <li>• Press the right or left oval to display other choices.</li> </ul> <p><b>Default:</b> RS-232 <b>Selections:</b> RS-232, RS-422/485, RS-485 multidrop</p>

Table 5 • Printer Parameters (Sheet 8 of 16)

Parameter	Action/Explanation
BAUD	<p><b>Setting Baud</b></p> <p>The baud setting of the printer must match the baud setting of the host computer for accurate communications to take place. Select the value that matches the one being used by the host computer.</p> <ul style="list-style-type: none"> <li>Press the right or left oval to display other choices.</li> </ul> <p><b>Default:</b> 9600 <b>Selections:</b> 110, 300, 600, 1200, 2400, 4800, 9600, 14400, 19200, 28800, 38400, 57600, 115200</p>
DATA BITS	<p><b>Setting Data Bits</b></p> <p>The data bits of the printer must match the data bits of the host computer for accurate communications to take place. Set the data bits to match the setting being used by the host computer.</p> <p><b>Note</b> • Code Page 850 requires the data bits to be set to 8 bits.</p> <ul style="list-style-type: none"> <li>Press the right or left oval to display other choices.</li> </ul> <p><b>Default:</b> 8 bits <b>Selections:</b> 7 bits, 8 bits</p>
PARITY	<p><b>Setting Parity</b></p> <p>The parity of the printer must match the parity of the host computer for accurate communications to take place. Select the parity that matches the one being used by the host computer.</p> <ul style="list-style-type: none"> <li>Press the right or left oval to display other choices.</li> </ul> <p><b>Default:</b> NONE <b>Selections:</b> NONE, ODD, EVEN</p>
HOST HANDSHAKE	<p><b>Setting Host Handshake</b></p> <p>The handshake protocol of the printer must match the handshake protocol of the host computer for proper communications to take place. Select the handshake protocol that matches the one being used by the host computer.</p> <ul style="list-style-type: none"> <li>Press the right or left oval to display other choices.</li> </ul> <p><b>Default:</b> XON/XOFF <b>Selections:</b> XON/XOFF, DSR/DTR, RTS/CTS</p>
PROTOCOL	<p><b>Setting Protocol</b></p> <p>Protocol is a type of error checking system. Depending on the selection, an indicator may be sent from the printer to the host computer signifying that data has been received. Select the protocol that is requested by the host computer. Further details on protocol can be found in the <i>ZPL II Programming Guide</i>.</p> <ul style="list-style-type: none"> <li>Press the right or left oval to display other choices.</li> </ul> <p><b>Default:</b> NONE <b>Selections:</b> NONE, ZEBRA, ACK_NAK</p> <p><b>Note</b> • Zebra is the same as ACK_NAK, except that Zebra response messages are sequenced. If Zebra is selected, the printer must use <b>DSR/DTR</b> host handshake protocol.</p>



Table 5 • Printer Parameters (Sheet 9 of 16)

Parameter	Action/Explanation
NETWORK ID	<p><b>Setting Network ID</b></p> <p>Network ID is used to assign a unique number to a printer used in an RS-422/RS-485 network. This gives the host computer the means to address a specific printer. If the printer is used in an RS-422/RS-485 network, you must select a network ID number. This does not affect TCP/IP or IPX networks.</p> <ol style="list-style-type: none"> <li>1. Press the left oval to move to the next digit position.</li> <li>2. Press the right oval to increase the value of the digit.</li> </ol> <p><b>Default:</b> 000 <b>Range:</b> 000 to 999</p>
COMMUNICATIONS	<p><b>Setting Communications Mode</b></p> <p>The communication diagnostics mode is a troubleshooting tool for checking the interconnection between the printer and the host computer. When DIAGNOSTICS is selected, all data sent from the host computer to the printer is printed as straight ASCII characters, with the hex value below the ASCII text. The printer prints all characters received, including control codes, like CR (carriage return). A sample printout is shown in <a href="#">Communications Diagnostics Test on page 117</a>.</p> <p><b>Notes</b> on diagnostic printouts are:</p> <ul style="list-style-type: none"> <li>• FE indicates a framing error.</li> <li>• OE indicates an overrun error.</li> <li>• PE indicates a parity error.</li> <li>• NE indicates noise.</li> </ul> <ol style="list-style-type: none"> <li>1. Press the right or left oval to toggle between the choices.</li> <li>2. For any errors, check that your communication parameters are correct.</li> <li>3. Set the print width equal to or less than the label width used for the test. See <a href="#">Label Specifications on page 128</a> for more information.</li> </ol> <p><b>Default:</b> NORMAL MODE <b>Selections:</b> NORMAL MODE, DIAGNOSTICS</p>
CONTROL PREFIX	<p><b>Control Prefix Character</b></p> <p>The printer looks for this two-digit hex character to indicate the start of a ZPL/ZPL II control instruction.</p> <p><b>Note</b> • Do not use the same hex value for the control, format, and delimiter character. The printer must see different characters to work properly.</p> <ol style="list-style-type: none"> <li>1. Press the left oval to move to the next digit position.</li> <li>2. Press the right oval to increase the value of the digit.</li> </ol> <p><b>Default:</b> 7E (tilde—displayed as a black square) <b>Range:</b> 00 to FF</p>

Table 5 • Printer Parameters (Sheet 10 of 16)

Parameter	Action/Explanation
FORMAT PREFIX	<p><b>Format Prefix Character</b></p> <p>The format prefix is a two-digit hex value used as a parameter place marker in ZPL/ZPL II format instructions. The printer looks for this 2-digit hex character to indicate the start of a ZPL/ZPL II format instruction. See the <i>ZPL II Programming Guide Volume I</i> for more information.</p> <p><b>Note</b> • Do <b>not</b> use the same hex value for the control, format, and delimiter character. The printer must see different characters to work properly.</p> <ol style="list-style-type: none"><li>1. Press the left oval to move to the next digit position.</li><li>2. Press the right oval to increase the value of the digit.</li></ol> <p><b>Default:</b> 5E (caret) <b>Range:</b> 00 to FF</p>
DELIMITER CHAR	<p><b>Delimiter Character</b></p> <p>The delimiter character is a 2-digit hex value used as a parameter place marker in ZPL/ZPL II format instructions. See the <i>ZPL II Programming Guide Volume I</i> for more information.</p> <p><b>Note</b> • Do <b>not</b> use the same hex value for the control, format, and delimiter character. The printer must see different characters to work properly.</p> <ol style="list-style-type: none"><li>1. Press the left oval to move to the next digit position.</li><li>2. Press the right oval to increase the value of the digit.</li></ol> <p><b>Default:</b> 2C (comma) <b>Range:</b> 00 to FF</p>
ZPL MODE	<p><b>Selecting ZPL Mode</b></p> <p>The printer remains in the selected mode until it is changed by this front panel instruction or by using a ZPL/ZPL II command. The printer accepts label formats written in either ZPL or ZPL II. This eliminates the need to rewrite any ZPL formats you already have. See the <i>ZPL II Programming Guide</i> for more information on the differences between ZPL and ZPL II.</p> <ul style="list-style-type: none"><li>• Press the right or left oval to display other choices.</li></ul> <p><b>Default:</b> ZPL II <b>Selections:</b> ZPL II, ZPL</p>

Table 5 • Printer Parameters (Sheet 11 of 16)

Parameter	Action/Explanation
MEDIA POWER UP	<p><b>Media Power Up</b></p> <p>This parameter sets the action of the labels when the printer is turned on.</p> <ul style="list-style-type: none"> <li>• Press the right or left oval to display the choices.</li> </ul> <p><b>Default:</b> Calibration</p> <p><b>Selections:</b> Feed, Calibration, Length, Short Cal, and No Motion</p> <ul style="list-style-type: none"> <li>• <b>Feed</b>—feeds the labels to the first registration point.</li> <li>• <b>Calibration</b>—determines the length of the label and adjusts the sensor settings.</li> <li>• <b>Length</b>—In continuous mode, feeds the last stored label length. In non-continuous mode, calibrates based on the maximum label length setting (see <i>Setting Maximum Length on page 59</i>).</li> <li>• <b>Short Cal</b>—calibrates label length using the current sensor settings.</li> <li>• <b>No Motion</b>—the media does not move. You must press <b>FEED</b> to cause the printer to resynch to the start of the next label.</li> </ul>
HEAD CLOSE	<p><b>Head Close</b></p> <p>This parameter sets the action of the labels when the printhead is closed.</p> <ul style="list-style-type: none"> <li>• Press the right or left oval to display the choices.</li> </ul> <p><b>Default:</b> Calibration</p> <p><b>Selections:</b> Feed, Calibration, Length, Short Cal, and No Motion</p> <ul style="list-style-type: none"> <li>• <b>Feed</b>—feeds the labels to the first registration point.</li> <li>• <b>Calibration</b>—determines the length of the label and adjusts the sensor settings.</li> <li>• <b>Length</b>—In continuous mode, feeds the last stored label length. In non-continuous mode, calibrates based on the maximum label length setting (see <i>Setting Maximum Length on page 59</i>).</li> <li>• <b>Short Cal</b>—calibrates label length using the current sensor settings.</li> <li>• <b>No Motion</b>—the media does not move. You must press <b>FEED</b> to cause the printer to resynch to the start of the next label.</li> </ul>
BACKFEED	<p><b>Backfeed Sequence</b></p> <p>This parameter establishes when and how much label backfeed occurs after a label is removed or cut in Peel-Off, Cutter, and Applicator modes. It has no effect in Rewind or Tear-Off modes. This parameter setting can be superseded by the <b>~JS</b> instruction when received as part of a label format (see the <i>ZPL II Programming Guide</i>).</p> <p><b>Note</b> • The difference between the value entered and 100% establishes how much backfeed occurs before the next label prints. For example, a value of 40 means that 40% of the backfeed takes place after the label is removed or cut. The remaining 60% takes place before the next label prints. A value of <b>BEFORE</b> means that all backfeed takes place before the next label prints.</p> <ul style="list-style-type: none"> <li>• Press the right or left oval to display other choices.</li> </ul> <p><b>Default:</b> DEFAULT (90%)</p> <p><b>Selections:</b> DEFAULT, AFTER, OFF, BEFORE, 10%, 20%, 30%, 40%, 50%, 60%, 70%, 80%</p>

Table 5 • Printer Parameters (Sheet 12 of 16)

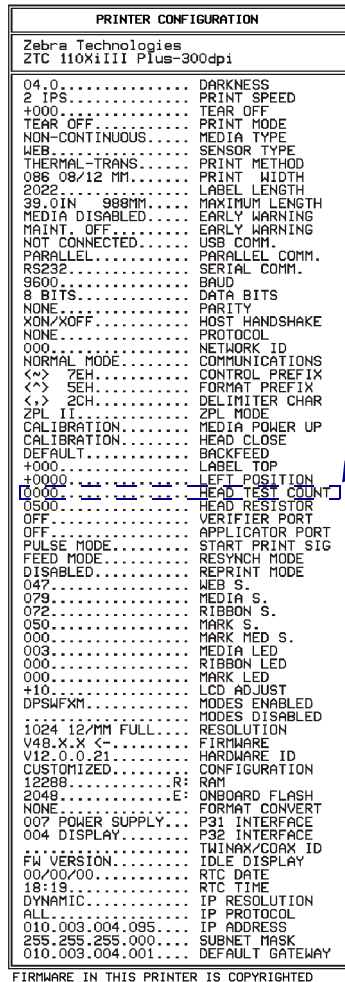
Parameter	Action/Explanation
LABEL TOP	<p><b>Adjusting Label Top Position</b></p> <p>The label top position adjusts the print position vertically on the label. Positive numbers adjust the label top position further down the label (away from the printhead), negative numbers adjust the position up the label (toward the printhead).</p> <p>The displayed value represents dots.</p> <ul style="list-style-type: none"><li>• To increase the value, press the right oval.</li><li>• To decrease the value, press the left oval.</li></ul> <p><b>Default:</b> +0</p> <p><b>Range:</b> -120 to +120 dot rows</p>
LEFT POSITION	<p><b>Adjusting Left Position</b></p> <p>This parameter establishes how far from the left edge of a label the format begins to print by adjusting horizontal positioning on the label. Positive numbers adjust the printing to the left by the number of dots selected, negative numbers shift printing to the right.</p> <p>The displayed value represents dots.</p> <ol style="list-style-type: none"><li>1. Press the left oval to move the cursor.</li><li>2. Press the right oval to change between + and to increase the value of the digit.</li><li>3. For a negative value, enter the value before changing to the minus sign.</li></ol> <p><b>Default:</b> 0000</p> <p><b>Range:</b> -9999 to +9999</p>

Table 5 • Printer Parameters (Sheet 13 of 16)

Parameter	Action/Explanation
HEAD TEST COUNT	<p><b>Setting the Head Test Count</b></p> <p>The printer periodically performs a test of the printhead functionality, called a <b>printhead test</b> or <b>head test</b>. This parameter establishes how many labels are printed between these internal tests.</p> <ol style="list-style-type: none"> <li>1. Press the left oval to move to the next digit position.</li> <li>2. Press the right oval to increase the value of the digit.</li> </ol> <p><b>Default:</b> 0000 (disables the test) <b>Range:</b> 0000 to 9999</p>



**Note** • This parameter will only appear if the Head Test Count option is installed. For 110XiIIIPlus printers, look at the configuration label to see if the option is installed. This option is available only on the BP-360X-Plus II.



If the Head Test Option is installed, HEAD TEST COUNT will be listed.

Table 5 • Printer Parameters (Sheet 14 of 16)

Parameter	Action/Explanation
HEAD RESISTOR	<p><b>Setting the Head Resistor Value</b></p> <p><b>Caution</b> • This parameter should be changed only by qualified service personnel. Do <b>not</b> set the value higher than that shown on the printhead. Setting a higher value may damage the printhead.</p> <p>This value has been preset at the factory to match the resistance value of the printhead. It does not need to be changed unless the printhead or the main logic board is replaced.</p> <ol style="list-style-type: none"> <li>1. Look on the printhead for the label that shows the resistance value (<math>\Omega</math> value).</li> <li>2. Press the left oval to move to the next digit position.</li> <li>3. Press the right oval to increase the value of the digit.</li> </ol> <p><b>Initial Value:</b> Factory-set to match the printhead shipped with your printer.  <b>Default Value:</b> 0500  <b>Range:</b> 0500 to 2500</p>
VERIFIER PORT	<p><b>Setting the Verifier Port</b></p> <p>The auxiliary port is used to determine how the printer reacts to the online verifier. The three operating conditions for this port are:</p> <ul style="list-style-type: none"> <li>• <b>OFF:</b> The verifier port is off.</li> <li>• <b>VER-RPRNT ERR:</b> Label reprinted if verifier detects an error. If a bar code is near the upper edge of the label, the label is fed out far enough to be verified and then backed to allow the next label to print and be verified.</li> <li>• <b>VER-THRUPUT:</b> Allows greatest throughput but may not indicate a verification error immediately upon detection. May print from one to three labels before an error is recognized and printing stops.</li> </ul> <ul style="list-style-type: none"> <li>• Press the right or left oval to display other choices.</li> </ul> <p><b>Default:</b> Off  <b>Selections:</b> Off, VER-RPRNT, VER-THRUPUT</p> <p>For more information on the operation of the optional verifier, see the documentation provided with that option.</p>
APPLICATOR PORT	<p><b>Setting the Applicator Port</b></p> <p>Determines the action of the verifier port.</p> <p><b>Note</b> • Set this value as suggested by the applicator manufacturer.</p> <ul style="list-style-type: none"> <li>• <b>Off:</b> The applicator port is off.</li> <li>• <b>Mode 1:</b> Asserts the <math>\sim</math>END_PRINT signal low while the printer is moving the label forward.</li> <li>• <b>Mode 2:</b> Asserts the <math>\sim</math>END_PRINT signal high while the printer is moving the label forward.</li> <li>• <b>Mode 3:</b> Asserts the <math>\sim</math>END_PRINT signal low for 20 milliseconds when a label has been completed and positioned. Not asserted during continuous printing modes.</li> <li>• <b>Mode 4:</b> Asserts the <math>\sim</math>END_PRINT signal high for 20 milliseconds when a label has been completed and positioned. Not asserted during continuous printing modes.</li> </ul> <ul style="list-style-type: none"> <li>• Press the right or left oval to display other choices.</li> </ul> <p><b>Default:</b> Off  <b>Selections:</b> Off, mode 1, mode 2, mode 3, mode 4</p>

Table 5 • Printer Parameters (Sheet 15 of 16)

Parameter	Action/Explanation
START PRINT SIG	<p><b>Start Print Signal</b></p> <p>This parameter determines how the printer reacts to the Start Print Signal input on pin 3 of the applicator interface connector at the rear of the printer.</p> <ul style="list-style-type: none"> <li>• In <b>Pulse Mode</b>, labels print when the signal transitions from HIGH to LOW.</li> <li>• In <b>Level Mode</b>, labels print as long as the signal is asserted LOW.</li> </ul> <p><b>Caution</b> • Start Print Signal is set by the applicator manufacturer and should not be changed unless the factory defaults have been reloaded. The printer must be returned to its designated setting for it to work properly.</p> <ul style="list-style-type: none"> <li>• Press the right or left oval to display other choices.</li> </ul> <p><b>Default:</b> Pulse Mode <b>Selections:</b> Pulse Mode, Level Mode</p>
RESYNCH MODE	<p><b>Resynch Mode</b></p> <p>This parameter determines how the printer reacts if the label synchronization is lost and the label top is not where expected.</p> <ul style="list-style-type: none"> <li>• <b>Feed Mode</b>—If the label top is not where expected, the printer feeds a blank label to find the label top position.</li> <li>• <b>Error Mode</b>—If the label top is not where expected, the printer stops, enters Pause Mode, displays the message <code>Error Condition Feed Label</code>, flashes the <b>ERROR</b> light, and asserts the Service Required signal (pin 10 on the Applicator Interface Connector).</li> </ul> <p>To resynch the media to the top of the label in Error Mode, press <b>PAUSE</b> to exit Pause Mode. The <b>ERROR</b> light stops flashing, and the Service Required signal is deactivated. The action of the printer is determined by the <code>Head Close</code> configuration selection (see <a href="#">Head Close on page 67</a>).</p> <ul style="list-style-type: none"> <li>• Press the right or left oval to toggle between choices.</li> </ul> <p><b>Default:</b> Feed Mode <b>Selections:</b> Feed Mode, Error Mode</p>
WEB S. MEDIA S. RIBBON S. MARK S. TAKE LABEL MARK MED S. MEDIA LED RIBBON LED MARK LED	<p>These parameters are automatically set during the calibration procedure. They should be changed only by a qualified service technician. See the <i>Maintenance Manual</i> for more information on these parameters.</p> <ul style="list-style-type: none"> <li>• Press <b>NEXT/SAVE</b> to scroll through these parameters.</li> </ul>

Table 5 • Printer Parameters (Sheet 16 of 16)

Parameter	Action/Explanation
LCD ADJUST	<p><b>LCD Adjustment</b></p> <p>This parameter allows you to adjust the contrast of your LCD if it is difficult to read.</p> <ol style="list-style-type: none"> <li>1. Press the left oval to move the cursor.</li> <li>2. Press the right oval to toggle +/- or to increase the value of the digit.</li> </ol> <p><b>Range:</b> 00 to 19</p>
FORMAT CONVERT	<p><b>Format Convert</b></p> <p>Selects the bitmap scaling factor. The first number is the original dots per inch (dpi) value; the second, the dpi to which you would like to scale.</p> <p><b>Note</b> • Not applicable on all printers.</p> <ul style="list-style-type: none"> <li>• Press the right or left oval to display other choices.</li> </ul> <p><b>Default:</b> None</p> <p><b>Selections:</b> None, 150 → 300, 150 → 600, 200 → 600, 300 → 600</p>
IDLE DISPLAY	<p><b>Idle Display</b></p> <p>This parameter selects the LCD options for the real-time clock.</p> <p><b>Note</b> • If the default value is not selected, pressing either oval briefly displays the firmware version of the printer.</p> <ul style="list-style-type: none"> <li>• Press the right or left oval to display other choices.</li> </ul> <p><b>Default:</b> Firmware version</p> <p><b>Selections:</b> mm/dd/yy (24 hour), mm/dd/yy (12 hour), dd/mm/yy (24 hour), dd/mm/yy (12 hour)</p>
RTC DATE	<p><b>RTC (Real-time clock) Date</b></p> <p>This parameter allows you to set the date following the convention selected in IDLE DISPLAY.</p> <ol style="list-style-type: none"> <li>1. Press the left oval to move to the next digit position.</li> <li>2. Press the right oval to increase the value of the digit.</li> </ol>
RTC TIME	<p><b>RTC (Real-time clock) Time</b></p> <p>This parameter allows you to set the time following the convention selected in IDLE DISPLAY.</p> <ol style="list-style-type: none"> <li>1. Press the left oval to move to the next digit position.</li> <li>2. Press the right oval to increase the value of the digit.</li> </ol>
LANGUAGE	<p><b>Selecting the Display Language</b></p> <p>This parameter allows you to change the language used on the LCD.</p> <ul style="list-style-type: none"> <li>• Press the right or left oval to display other choices.</li> </ul> <p><b>Default:</b> English</p> <p><b>Selections:</b> English, Spanish, French, German, Italian, Norwegian, Portuguese, Swedish, Danish, Spanish 2, Dutch, Finnish, Japanese</p>



## ZebraNet® Wired and Wireless Print Server LCD Displays

The menu options shown in [Table 6](#) display only if you have the ZebraNet PrintServer II, or 10/100 PrintServer, or Wireless Print Server installed.

**Table 6 • Print Server LCD Displays**

LCD	Explanation
LOAD LAN FROM <sup>1</sup>	This parameter, which serves the same function as the ^NP ZPL command, specifies whether to use the printer's or the print server's IP settings at bootup. <i>Accepted Values:</i> PRINTER, PRINTSERVER <i>Default Value:</i> PRINTER
WIRED PS CHECK <sup>1</sup>	This parameter, which serves the same function as the ^NB ZPL command, tells the printer whether to search for a wired print server at bootup. <i>Accepted Values:</i> YES, NO <i>Default Value:</i> NO
IP PROTOCOL <sup>2</sup>	<b>IP Protocol</b> Allows either the user (permanent) or the server (dynamic) to select the IP address. If a dynamic option is chosen, this selection determines the method(s) by which the print server (wired or wireless) receives the IP address from the server. <ul style="list-style-type: none"> <li>Press the right or left oval to display other choices.</li> </ul> <b>Default:</b> ALL <b>Selections:</b> ALL, GLEANING ONLY, RARP, BOOTP, DHCP, DHCP AND BOOTP, PERMANENT <b>Note</b> • Use of GLEANING ONLY is not recommended when the Wireless Print Server is installed.
IP ADDRESS <sup>2</sup>	<b>IP Address</b> This parameter allows you to select the IP address if PERMANENT was chosen in IP PROTOCOL. (If a dynamic option was chosen, the user cannot select the address.) <ol style="list-style-type: none"> <li>Press the left oval to move to the next digit position.</li> <li>Press the right oval to increase the value of the digit.</li> </ol>
SUBNET MASK <sup>2</sup>	<b>Subnet Mask</b> This parameter selects the part of the IP address that is considered to be part of the local network. It can be reached without going through the default gateway. <ol style="list-style-type: none"> <li>Press the left oval to move to the next digit position.</li> <li>Press the right oval to increase the value of the digit.</li> </ol>

1 Appears only when the ZebraNet Wireless Print Server is installed.

2 These parameters appear after the system recognizes the existence of a ZebraNet print server (wired or wireless). After the print server is recognized, all zeroes (000.000.000.000) will display until the printer obtains an IP address or defaults to address 192.168.254.254.

3 If a wireless password is set, you must enter the wireless password (not the printer password) to access this parameter.

4 This parameter appears 1) when no wireless card is inserted or 2) when the wireless card is associated to the WLAN and the card supports LEAP.

Table 6 • Print Server LCD Displays (Continued)

LCD	Explanation
DEFAULT GATEWAY <sup>2</sup>	<p><b>Default Gateway</b></p> <p>This parameter allows you to select the IP address that the network traffic is routed through if the destination address is not part of the local network.</p> <ol style="list-style-type: none"> <li>1. Press the left oval to move to the next digit position.</li> <li>2. Press the right oval to increase the value of the digit.</li> </ol>
MAC ADDRESS <sup>1,3</sup>	<p><b>MAC Address</b></p> <p>This parameter cannot be changed through the front panel.</p>
ESSID <sup>1,3</sup>	<p><b>ESSID</b></p> <p>This parameter cannot be changed through the front panel.</p>
AUTH. TYPE <sup>1,3</sup>	<p><b>Authentication Type</b></p> <p><b>Default:</b> OPEN</p> <p><b>Selections:</b> OPEN, SHARED</p>
LEAP MODE <sup>3,4</sup>	<p>An encryption method that is available with some wireless cards. Set the LEAP user name and password through the printer web pages.</p> <p><i>Accepted Values:</i> ON, OFF</p> <p><i>Default Value:</i> OFF</p>
ENCRYPTION MODE <sup>1,3</sup>	<p><b>Encryption Mode</b></p> <p><b>Default:</b> OFF</p> <p><b>Selections:</b> OFF, 40-BIT, 128-BIT</p>
ENCRYPTION INDEX <sup>1,3</sup>	<p><b>Encryption Index</b></p> <p><b>Default:</b> 1</p> <p><b>Selections:</b> 1, 2, 3, 4</p>
RESET NETWORK <sup>2,3</sup>	<p><b>Reset Network</b></p> <p>This option resets the wireless card and the print server when the wireless option is running. Selecting this option has no effect when the wireless option is not running, when there is no card inserted, or when the wireless password is anything other than the default (zero).</p> <ol style="list-style-type: none"> <li>1. Press the right oval to select YES. <ul style="list-style-type: none"> <li>The LCD prompts ARE YOU SURE?</li> <li>• Press the left oval to select NO to cancel the request.</li> <li>• Press the right oval to select YES and reset the network.</li> </ul> </li> </ol>

1 Appears only when the ZebraNet Wireless Print Server is installed.

2 These parameters appear after the system recognizes the existence of a ZebraNet print server (wired or wireless). After the print server is recognized, all zeroes (000.000.000.000) will display until the printer obtains an IP address or defaults to address 192.168.254.254.

3 If a wireless password is set, you must enter the wireless password (not the printer password) to access this parameter.

4 This parameter appears 1) when no wireless card is inserted or 2) when the wireless card is associated to the WLAN and the card supports LEAP.



---

## Data Ports

This chapter describes the standard communication ports available to connect the printer to your computer or network.

### Contents

Parallel Port .....	76
Serial Port .....	78
Serial Pin Configuration .....	79
RS-232 Interface Connections .....	80
RS-422/RS-485 Interconnections .....	82
USB 2.0 Port .....	83

## Parallel Port

When communicating via the parallel port, the values selected must be the same as those used by the host equipment connected to the printer. Port selection for status information is determined by the channel sending the request. The parallel port can be set for bidirectional or unidirectional communication. The default setting is bidirectional.

A standard 36-pin parallel connector (Figure 36) is available on the back of the printer for connection to the data source.

**Figure 36 • Parallel Connector**

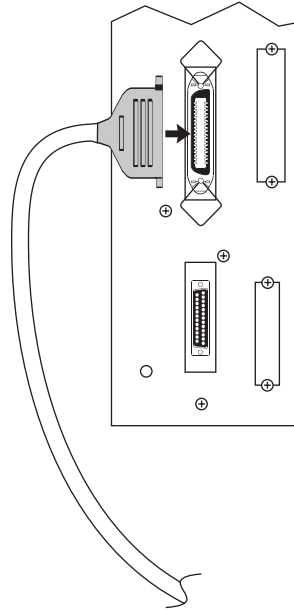


Table 7 shows the pin configuration and function of a standard computer-to-printer parallel cable.

**Table 7 • Parallel Cable Pin Configuration**

36-Pin Connectors	Description
1	nStrobe/HostClk
2–9	Data Bits 1–8
10	nACK/PtrClk
11	Busy/PtrBusy
12	PError/ACKDataReq
13	Select/Xflag
14	nAutoFd/HostBusy
15	Not used
16, 17	Ground

Table 7 • Parallel Cable Pin Configuration (Continued)

36-Pin Connectors	Description
18	+5 V at 750 mA The maximum current draw may be limited by option configuration.
19–30	Ground
31	ninit
32	nFault/NDataAvail
33, 34	Not used
35	+5 V through a 1.8 K $\Omega$ Resistor
36	NSelectin/1284 active

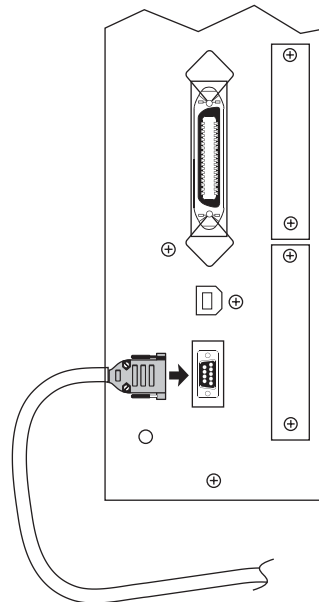
## Serial Port

To communicate using the serial data port of the printer, you must choose the number of data and stop bits, parity, and handshaking. Parity applies only to data transmitted by the printer because the parity of received data is ignored.

The values selected must be the same as those used by the host equipment connected to the printer. Default settings are 9600 baud, 8 data bits, 1 stop bit, no parity, and XON/XOFF.

Connect the serial data cable to the female DB-9 connector (Figure 37) on the back panel of the printer.

Figure 37 • Serial Connector



Use a DB-9 to DB-25 interface module for all RS-232 connections through a DB-25 cable. An interface module is required for RS-422/RS-485 interface support (see [RS-422/RS-485 Interconnections](#) on page 82).



**Note** • For all RS-232 input and output signals, the printer follows the specifications of the Electronics Industries Association (EIA) RS-232 and the Consultative Committee for International Telegraph and Telephone (CCITT) V.24.

## Serial Pin Configuration

Table 8 shows the pin configuration and function of the rear panel serial data connector on the printer.

**Table 8 • Serial Connector Pin Configuration**

Pin No.	Name	Description
1	—	Not connected
2	RXD	Receive data—data input to printer
3	TXD	Transmit data—data output from printer
4	DTR	Data terminal ready—output from printer
5	SG	Signal ground
6	DSR	Data set ready—input to printer
7	RTS	Request to send—output from printer
8	CTS	Clear to send—input to printer
9	+5 VDC	+5 VDC at 750 mA The maximum current draw may be limited by option configuration.

## RS-232 Interface Connections



**Note** • Adapters are available from Zebra Technologies LLC.

- RS-422/RS-485 adapter, Zebra part number 33114M
- RS-232 DB-9 to DB-25 adapter, Zebra part number 33109M

### Direct Connection to a Computer

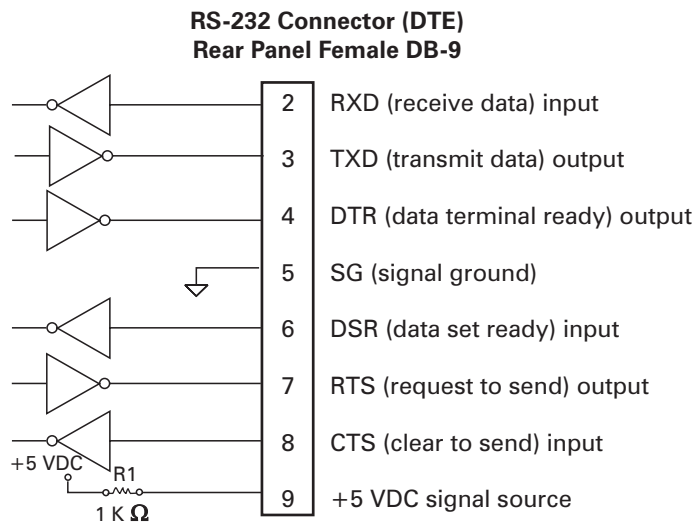
The printer is configured as Data Terminal Equipment (DTE).



**Note** • Use a **null modem** (crossover) cable to connect the printer to a computer or any other DTE device.

Figure 38 shows the internal connections of the printer's RS-232 connector.

**Figure 38 • RS-232 Connections**



**NOTE:** Pin 1 is unused and unterminated.

Pin 9 is also available as a +5 VDC signal source at 750 mA. The maximum current draw may be limited by option configuration.



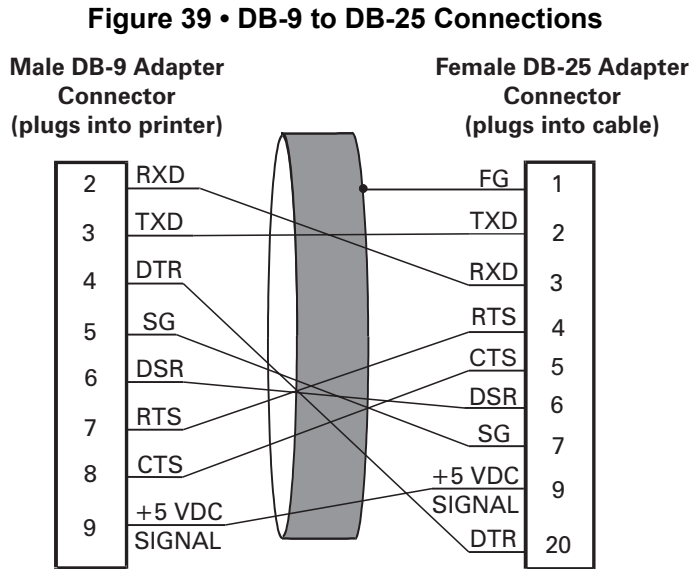
**Caution** • To enable this capability, a qualified service technician must install a jumper on the printer's main logic board on JP1, pins 2 and 3.



### DB-9 to DB-25 Connections

An interface adapter is required (Zebra part number 33109M) to connect the printer's DB-9 interface to a DB-25 connector. A generic DB-25 adapter CAN be used, although the +5 VDC signal source would not be passed through the adapter.

Figure 39 shows the connections required for the DB-9 to DB-25 interface.

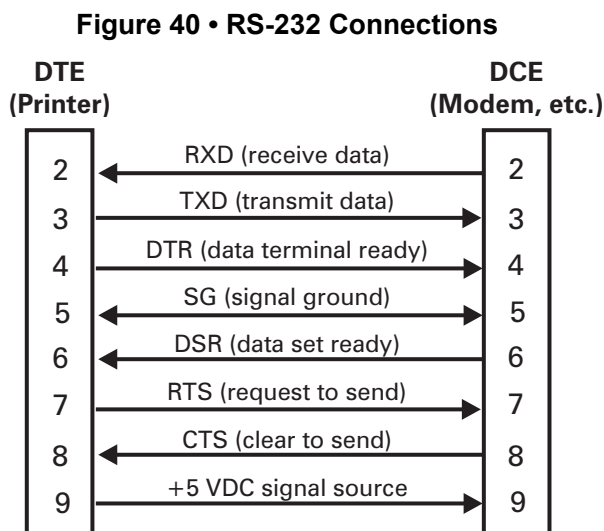


**NOTE:** Pin 1 of DB-9 connector is unused and unterminated.

### Modem Connection

When the printer is connected via its RS-232 interface to Data Communication Equipment (DCE) such as a modem, use a standard RS-232 (straight-through) interface cable.

Figure 40 shows the connections required for this cable.



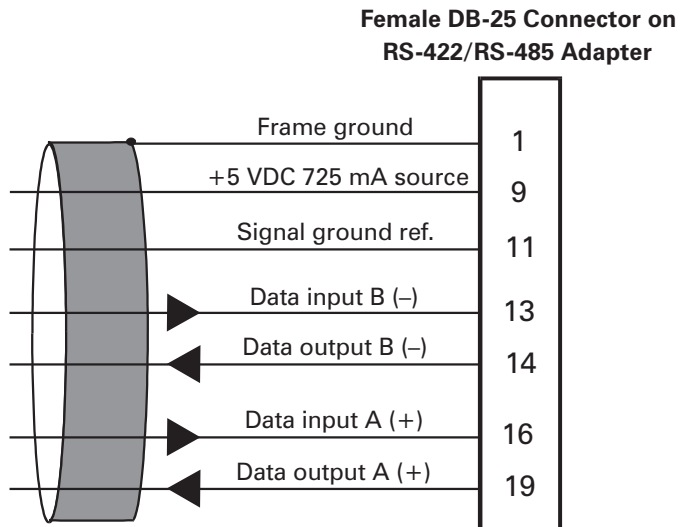
**NOTE:** Pin 1 is unused and unterminated at the printer.

## RS-422/RS-485 Interconnections

**Caution** • A qualified service technician must install a jumper on the printer's main logic board at JP1, pins 2 and 3, for the RS-422/RS-485 interface adapter to function properly.

An interface adapter (Zebra part number 33114M) is required to connect the printer's RS-232 DB-9 interface to a host computer through an RS-422 or RS-485 interface. A generic DB-25 adapter can be used. [Figure 41](#) shows the cable wiring for interconnecting the DB-9 to the interface adapter's DB-25 female connector.

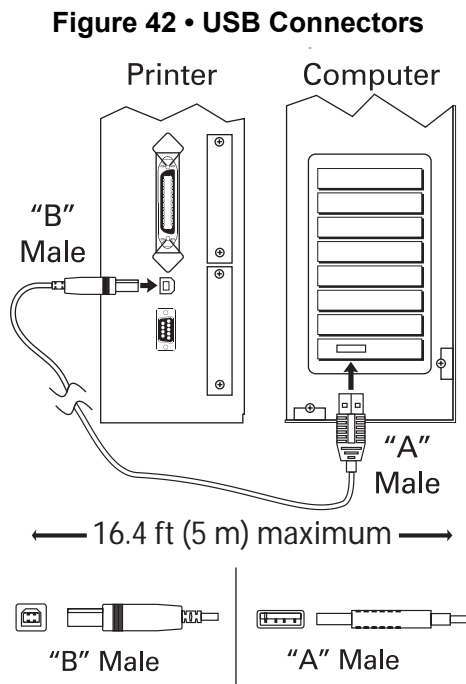
**Figure 41 • DB-9 to DB-25 Connections**



**NOTE:** Pins 2-8, 10, 12, 15, 17, 18, and 20-25 are unused and unterminated.

## USB 2.0 Port

A USB 2.0 port (which is USB 1.1 and 1.0 compatible) is available to connect your printer to the host equipment. The industry-standard USB cable has an A-male connector on one end and a B-male connector on the other end as shown in [Figure 42](#).



**Note** • Use a USB 2.0-certified compliant cable no longer than 16.4 ft (5 m) long. A cable that meets these requirements is available from Zebra (part number 33011).





---

# Memory Cards

This chapter describes the optional cards that can be used with the printer and gives instructions for installation.

## Contents

PCMCIA Memory Card .....	86
CompactFlash Card .....	88

## PCMCIA Memory Card

A Type 1- or Type II-compliant PCMCIA memory card holds extra memory or font options for the printer. The card is hot-swappable (it can be installed while the printer is on).

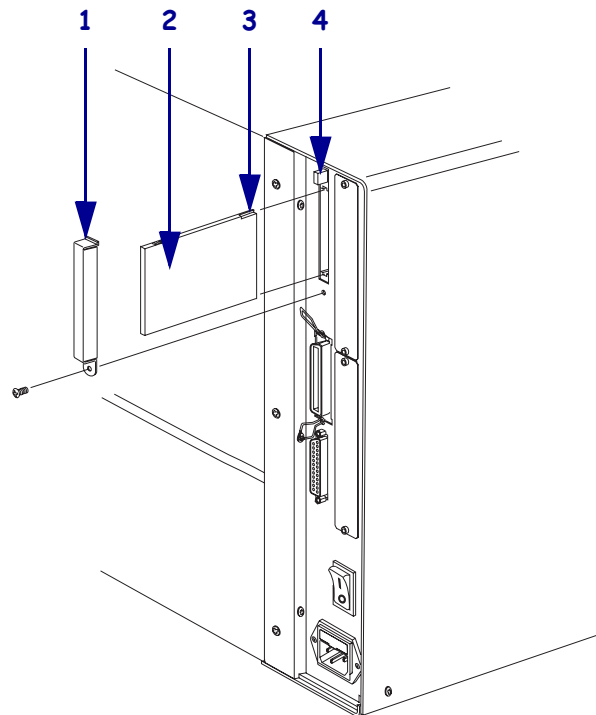


**Electrostatic Discharge Caution** • Observe proper electrostatic safety precautions when handling any static-sensitive components such as circuit boards and printheads.

### To install the PCMCIA card, complete these steps:

1. Remove the PCMCIA card shield from the rear of the printer (Figure 43).

Figure 43 • PCMCIA Card Installation



<b>1</b>	PCMCIA card shield
<b>2</b>	PCMCIA card
<b>3</b>	Notch
<b>4</b>	Card-eject button

2. Insert the PCMCIA card, with the notch **up**, into the card slot as shown. Insert it far enough to make the eject button pop out.

3. Reinstall the PCMCIA card shield over the PCMCIA card and card slot.



**Note** • The PCMCIA card may take a few minutes to initialize. The PAUSE light flashes while the card initializes. If the card is already initialized, the PAUSE light flashes only once or twice after the card is installed.

The printer is ready to operate with the additional memory or font option. To be sure that the card has successfully initialized, print a configuration label as instructed in [Print a Printer Configuration Label on page 29](#) and review it to see whether the new memory card information is listed.

## CompactFlash Card

A CompactFlash card is a nonvolatile memory card that stores data even when the power to the printer is turned off. A Type I-compliant CompactFlash card holds extra memory or optional fonts for your printer.



**Caution** • This procedure should only be performed by qualified service technicians.

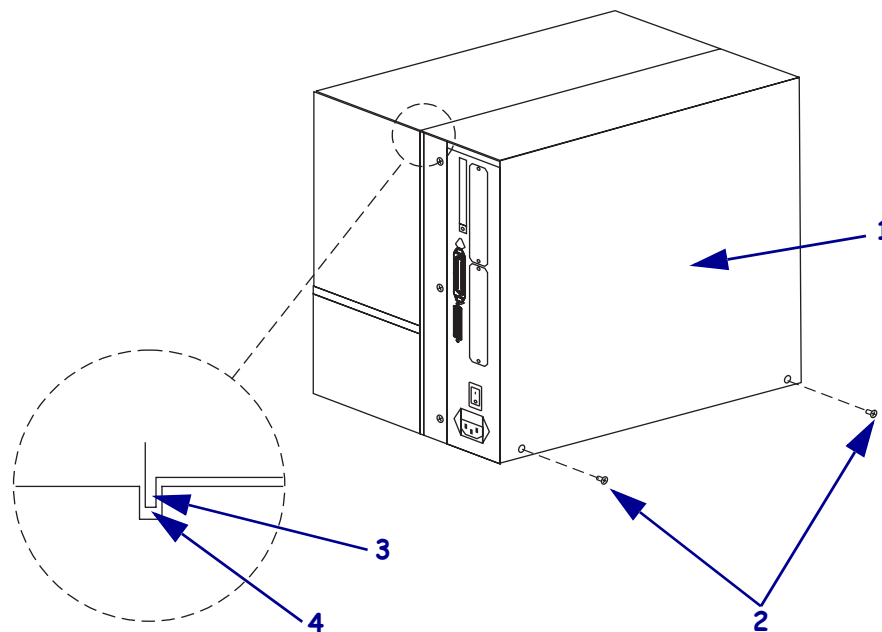


**Electrostatic Discharge Caution** • Observe proper electrostatic safety precautions when handling any static-sensitive components such as circuit boards and printheads.

### To install a CompactFlash card, complete these steps:

1. Turn the AC power Off (O).
2. Disconnect the AC power cord from the printer.
3. Remove the two screws near the bottom of the electronics cover (Figure 44).

Figure 44 • Printer Exterior



1	Electronics cover
2	Screws
3	Channel
4	Lip of cover

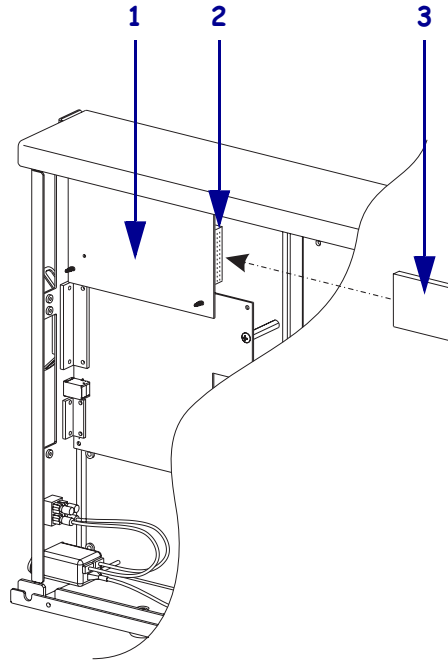
4. Lift the electronics cover at the rear top corner. Pull the corner forward and up, then lift the cover up and away from the printer.



5. Insert the CompactFlash card into the card slot on the upper portion of the option board. Insert the card with the back (unlabeled) side of the card facing out. The card can be inserted only one way and should snap into place.

Figure 45 shows where to insert the CompactFlash card.

**Figure 45 • Compact Flash Card Insertion**



<b>1</b>	Option board
<b>2</b>	Card slot
<b>3</b>	Compact flash card

6. Reinstall the electronics cover by lowering the cover so the lip of the cover goes into the channel on the top of the printer.
7. Secure the cover by reinstalling the two screws near the bottom of the cover.
8. Reconnect the printer AC power cord.
9. Press and hold **CANCEL** while turning the printer On (**I**).  
The printer prints a configuration label.
10. Check for the presence of additional memory or optional fonts by looking at the information on the configuration label.



**Note •** The CompactFlash card may take a few minutes to initialize. If the process is not successfully completed within 10 minutes, contact Technical Support at [http://www.zebra.com/SS/service\\_support.htm](http://www.zebra.com/SS/service_support.htm) for assistance.



**Notes •** \_\_\_\_\_

\_\_\_\_\_

\_\_\_\_\_

\_\_\_\_\_

\_\_\_\_\_

\_\_\_\_\_

\_\_\_\_\_

\_\_\_\_\_

\_\_\_\_\_

\_\_\_\_\_

\_\_\_\_\_

\_\_\_\_\_

\_\_\_\_\_

\_\_\_\_\_

\_\_\_\_\_

\_\_\_\_\_

\_\_\_\_\_

\_\_\_\_\_

\_\_\_\_\_

\_\_\_\_\_

\_\_\_\_\_

\_\_\_\_\_

\_\_\_\_\_

\_\_\_\_\_

\_\_\_\_\_

\_\_\_\_\_

\_\_\_\_\_

\_\_\_\_\_

\_\_\_\_\_

\_\_\_\_\_

To provide feedback on this document, please send your comments to [techpubs@zebra.com](mailto:techpubs@zebra.com), or write your comments on this page and fax to the following:  
Fax: 1.847.821.1795      Attention: TechPubs — CTC



---

# Routine Maintenance

Cleaning your printer regularly maintains print quality and may extend the life of the printer. This section provides routine cleaning and maintenance procedures.

## Contents

Cleaning Schedule .....	92
Clean Exterior .....	92
Clean Interior .....	93
Printhead and Platen Roller .....	93
Sensors .....	95
Snap Plate .....	97
Cutter .....	99
Replace Fuse .....	100

## Cleaning Schedule

The recommended cleaning schedule is shown in [Table 9](#). See the following pages for specific procedures.

---

**Caution** • Use only the cleaning agents indicated. Zebra is not responsible for damage caused by any other fluids being used on this printer.

---

**Table 9 • Recommended Printer Cleaning Schedule**

Area	Method	Interval
Printhead	Solvent*†	Perform these procedures at the following times: <ul style="list-style-type: none"><li>• When <b>CLEAN HEAD NOW</b> appears.</li><li>• <b>Direct Thermal Print Mode:</b> After every roll of labels or 500 ft (150 m) of fanfold labels.</li><li>• <b>Thermal Transfer Print Mode:</b> After every roll (1500 ft or 450 m) of ribbon.</li></ul>
Platen roller	Solvent*	
Transmissive (media) sensor	Air blow	
Black mark sensor	Air blow	
Media path	Solvent*	
Ribbon sensor	Air blow	
Label-available sensors	Air blow	Monthly
Tear-off/peel-off bar	Solvent*	
Snap plate	Solvent*	As needed
Cutter	Solvent*	

\* Use Zebra's Preventative Maintenance kit, part number 47362, or a solution of 90% isopropyl alcohol and 10% deionized water.

† For 600 dpi printers, use Zebra's *Save-a-Printhead* cleaning film. This specially coated material removes contamination buildup without damaging the printhead. Call your authorized Zebra reseller or distributor for more information.

## Clean Exterior

Clean the outside surfaces of the printer with a lint-free cloth. Use a mild detergent solution or desktop cleaner sparingly, as needed.

---

**Caution** • Do not use harsh or abrasive cleaning agents or solvents.

---

## Clean Interior

After every four rolls of media, inspect the inside of the printer. Use a soft bristle brush or a vacuum cleaner to remove any dirt and lint from the interior of the printer.

### Printhead and Platen Roller

After every roll of ribbon, clean the printhead. Clean the printhead more often if you see inconsistent print quality, such as voids in the bar code or graphics.

**For 200 and 300 dpi printers** Clean after every roll (1500 feet or 450 m) of thermal transfer ribbon or after every roll (500 feet or 150 m) of direct thermal labels or when **CLEAN HEAD NOW** appears on the LCD.

**For 600 dpi printers** Clean after each roll (500 feet or 150 m) of labels or when **CLEAN HEAD NOW** appears on the LCD.



**Note** • You do not need to turn off the printer before cleaning the printhead. If power is turned off, all label formats and images, as well as any temporarily saved parameter settings stored in the printer's internal memory, are lost. When power is turned back on, these items must be reloaded.

If power is removed from a 600 dpi printer when cleaning the printhead, the **CLEAN HEAD NOW** warning shown on the LCD will not disappear.

If print quality does not improve after you perform this procedure, clean the printhead with *Save-a-Printhead* cleaning film. This specially coated material removes contamination buildup without damaging the printhead. Call your authorized Zebra reseller or distributor for more information.




---

**Caution** • The printhead is hot and can cause severe burns. Allow the printhead to cool.

---




---

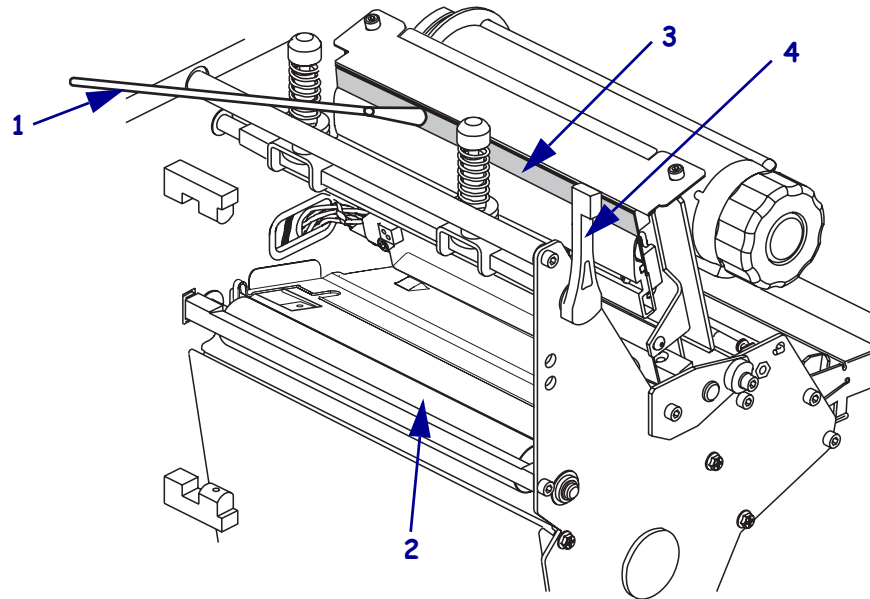
**Caution** • Observe proper electrostatic safety precautions when handling any static-sensitive components such as circuit boards and printheads.

---

#### To clean the printhead and platen roller, complete these steps:

1. Open the printhead.
2. Remove the media and ribbon (if loaded).
3. Use Zebra's Preventative Maintenance kit, part number 47362, or a solution of 90% isopropyl alcohol and 10% deionized water on an applicator to wipe along the print elements from end to end, as shown in [Figure 46](#). (The print elements are on the brown strip on the printhead.) Allow a few seconds for the solvent to evaporate.

**Figure 46 • Cleaning the Printhead**



<b>1</b>	Applicator
<b>2</b>	Platen roller
<b>3</b>	Printhead print elements
<b>4</b>	Printhead lever

4. Rotate the platen roller and clean thoroughly with solvent and an applicator.
5. Brush or vacuum any accumulated paper lint and dust away from the rollers.
6. Reload the media and the ribbon (if required).
7. Close the printhead.

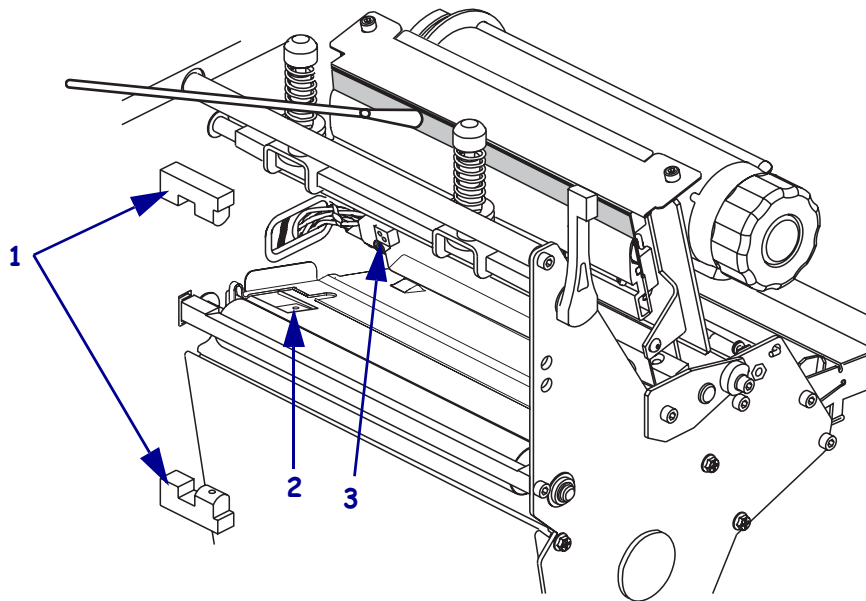
## Sensors

Brush or vacuum any accumulated paper lint and dust off the sensors whenever the sensors are blocked. At minimum, clean the sensors according to the recommendations in *Cleaning Schedule* on page 92.

### Ribbon and Label-Available Sensor Locations

The ribbon sensor and optional label-available sensor are shown in [Figure 47](#).

**Figure 47 • Sensor Locations**

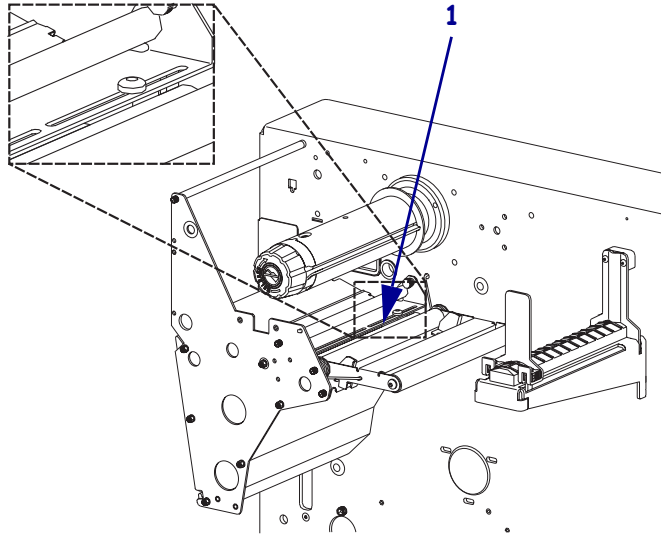


<b>1</b>	Label-available sensors
<b>2</b>	Black mark sensor
<b>3</b>	Ribbon sensor

## Transmissive (Media) Sensor Locations

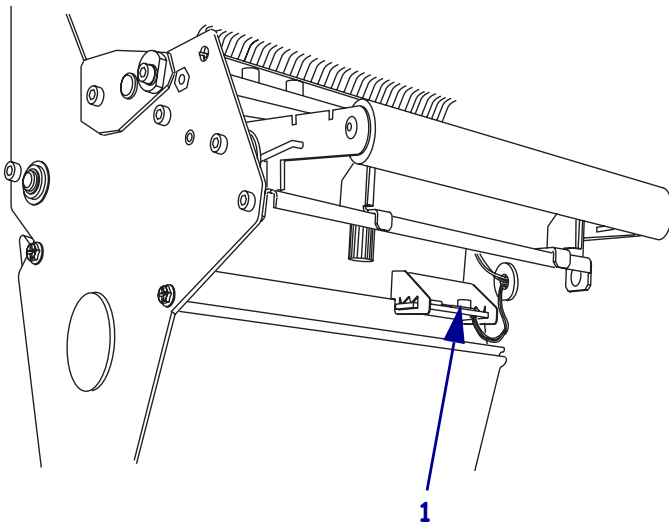
The locations of the upper and lower transmissive (media) sensors are shown in [Figure 48](#) and [Figure 49](#).

**Figure 48 • Upper Media Sensor**



<b>1</b>	Upper media sensor
----------	--------------------

**Figure 49 • Lower Media Sensor**



<b>1</b>	Lower media sensor
----------	--------------------



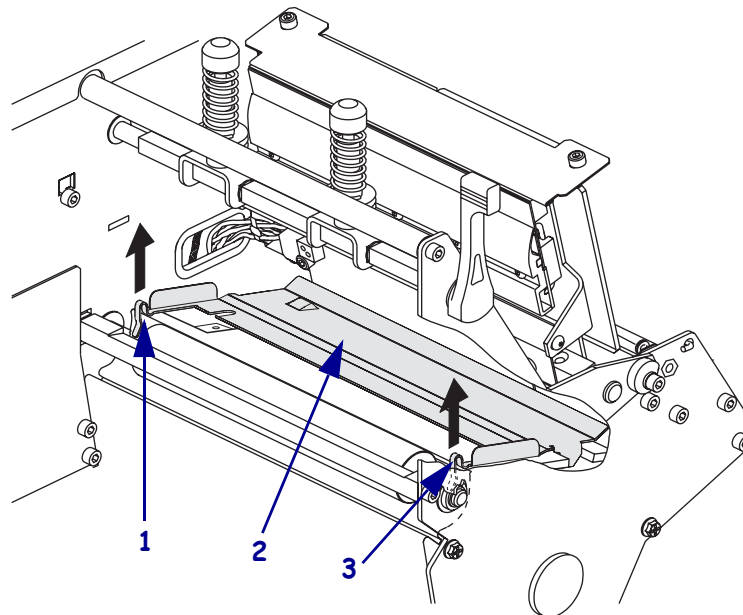
## Snap Plate

Clean the snap plate when label adhesive or a label is stuck to the underside.

The snap plate in your printer will depend on whether the printer is RFID-ready. [Figure 50](#) shows the standard snap plate. [Figure 51](#) shows the snap plate in a printer that is RFID-ready. Follow the instructions that apply to your printer.

### Standard Printers

Figure 50 • Snap Plate for Standard *XIIIPlus* Printers



1	Left loop
2	Snap plate
3	Right loop

#### To clean the snap plate in a standard printer, complete these steps:

1. Insert a small-blade screwdriver or similar tool into the loop on the left side of the snap plate.



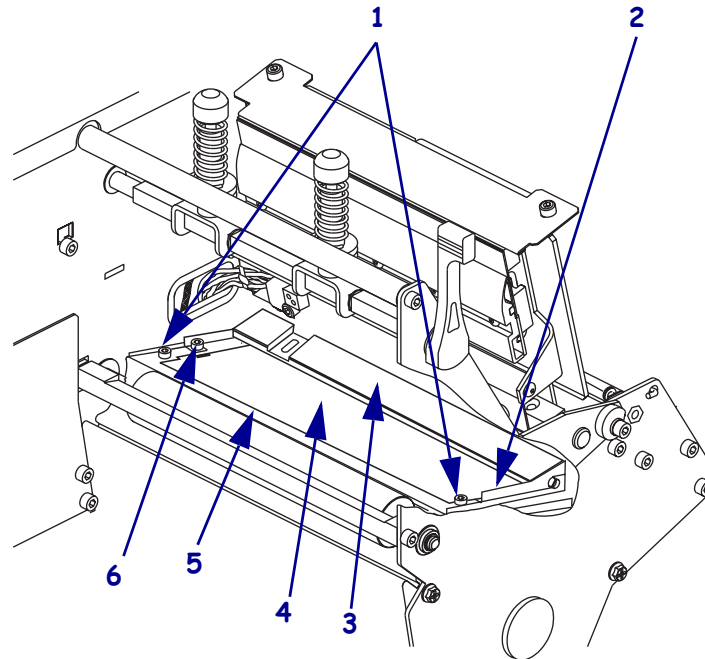
**Important** • Take care not to bend, twist, or otherwise deform the loops. If the snap plate is damaged in any way, you may need a new plate for proper ribbon sensing.

2. Gently lift the left side of the snap plate.
3. Insert a small-blade screwdriver or similar tool into the loop on the right side of the snap plate.
4. Gently lift the right side of the snap plate.
5. Remove the snap plate from the printer.
6. Clean the snap plate with cleaning solvent and a soft cloth.

7. To reinstall the snap plate, insert the two tabs on the bottom of the snap plate into the two slots of the media path.
8. Slide the snap plate toward you.
9. Press down on the loops to lock the snap plate into place.

## RFID-Ready Printers

**Figure 51 • Snap Plate for RFID-Ready *XIIIPlus* Printers**



<b>1</b>	Antenna support screws
<b>2</b>	Location of right-side snap plate screw (screw not shown)
<b>3</b>	Snap plate
<b>4</b>	Antenna support
<b>5</b>	Antenna support frame
<b>6</b>	Left-side snap plate screw

### To clean the snap plate in an RFID-ready printer, complete these steps:

1. Remove the two screws that secure the snap plate to the antenna support frame.



**Important** • Do not remove the antenna support screws.

2. Remove the snap plate from the printer.
3. Clean the snap plate with cleaning solvent and a soft cloth.
4. To reinstall the snap plate, slide it back into place until the screw holes on the snap plate line up with the screw holes in the antenna support frame.
5. Reinstall the two snap plate screws to secure the snap plate to the antenna support frame.

## Cutter

If the cutter is not cutting the labels cleanly or if it jams with labels, clean the cutter.



---

**Caution** • The cutter blade is sharp. Do not touch or rub the blade with your fingers.

---

### To clean the cutter, complete these steps:

1. Turn Off (O) the printer.
2. Unplug the power cord.
3. Clean the stationary cutter blade with solvent.

If this does not remove label fragments and adhesive, contact an authorized service technician.

## Replace Fuse

Fuses are user-replaceable in the 90*XiIIIPlus*, 96*XiIIIPlus*, 140*XiIIIPlus*, 170*XiIIIPlus*, and 220*XiIIIPlus* printers. The 110*XiIIIPlus* fuse must be replaced only by an authorized service technician.



---

**Caution** • Turn the AC power switch Off (O) and remove the power cord before performing this procedure.

---

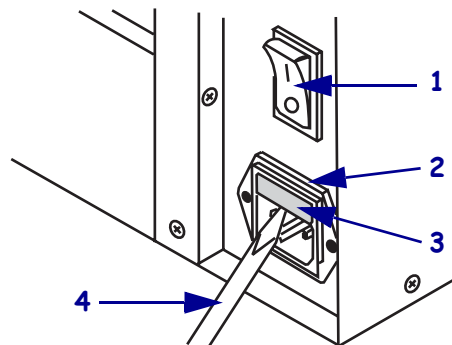
The printer uses a metric-style fuse (5 × 20 mm IEC) rated at F5A, 250 V. The AC power entry module comes with two approved fuses in the fuse holder: one is in-circuit, and the second is provided as a spare. The end caps of the fuse must bear the certification mark of a known international safety organization.

### To replace a faulty fuse, complete these steps:

1. Use a small-blade screwdriver or similar tool to remove the fuse holder.

The fuse holder is part of the AC power entry module at the rear of the printer ([Figure 52](#)).

**Figure 52 • AC Power Entry Module**



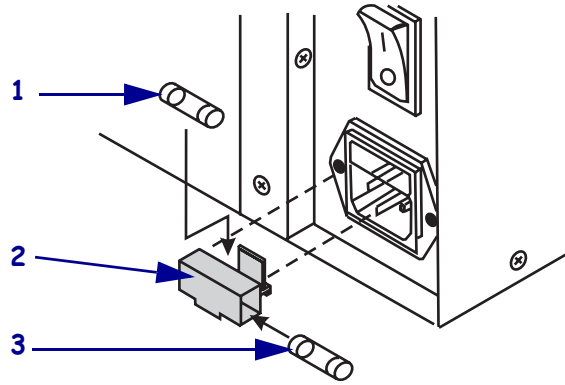
1	Power switch
2	Fuse holder
3	AC power entry module
4	Small-blade screwdriver

2. Remove the faulty fuse and install a new fuse in the in-circuit position ([Figure 53](#)).



**Important** • If you use the spare fuse, be sure to order a replacement fuse from your authorized Zebra distributor. The spare fuse should be the exact type and rating as the original in-circuit fuse.

Figure 53 • Fuse Locations



1	In-circuit fuse
2	Fuse holder
3	Spare fuse

3. Snap the fuse holder back into the AC power entry module.
4. Reconnect the power cord, and turn the printer On (I).



**Note** • If the printer does not power on, an internal component failure may have occurred, and the printer requires servicing by an authorized service technician.





---

# Troubleshooting

This chapter provides you with information about LCD, print quality, communications, and other errors that you might need to troubleshoot.

## Contents

Troubleshooting .....	104
LCD Error Messages .....	105
Print Quality Problems .....	109
Communications Problems .....	111
Printer Diagnostics .....	113
Power-On Self Test .....	113
Additional Printer Self Tests .....	113
Communications Diagnostics Test .....	117
Additional Printer Diagnostics .....	117

## Troubleshooting

### **If an error condition exists with the printer, review this checklist:**

- Is there an error message on the LCD? If yes, see *LCD Error Messages* on page 105 for more information.
- Is the CHECK RIBBON light on when ribbon is loaded properly, or are non-continuous labels being treated as continuous labels? If yes, see *Media and Ribbon Sensor Calibration* on page 33.
- Are you experiencing problems with print quality? If yes, see *Print Quality Problems* on page 109.
- Are you experiencing communications problems? If yes, see *Communications Problems* on page 111.

### **If the labels are not printing or advancing correctly, review this checklist:**

- Are you using the correct type of labels? Review the types of label in *Types of Media* on page 14.
- Review the label- and ribbon-loading illustrations, starting with *Load the Printer* on page 20.
- Check the position of the media sensor and move if necessary, as shown in *Adjust and Calibrate Sensors* on page 33.
- Does the printhead need to be adjusted? See *Adjust Printhead Pressure and Toggle Position* on page 37 for more information.
- Do the sensors need to be calibrated? See *Media and Ribbon Sensor Calibration* on page 33 for more information.

### **If none of the above suggestions correct the problem, review this checklist:**

- Perform one or more of the self-tests given in *Printer Diagnostics* on page 113. Use the results to help identify the problem.
- If you are still having problems, see *Support* on page xviii for customer support information.



## LCD Error Messages

The LCD displays messages when there is an error. See [Table 10](#) for LCD errors, the possible causes, and the recommended solutions.

**Table 10 • LCD Error Messages**

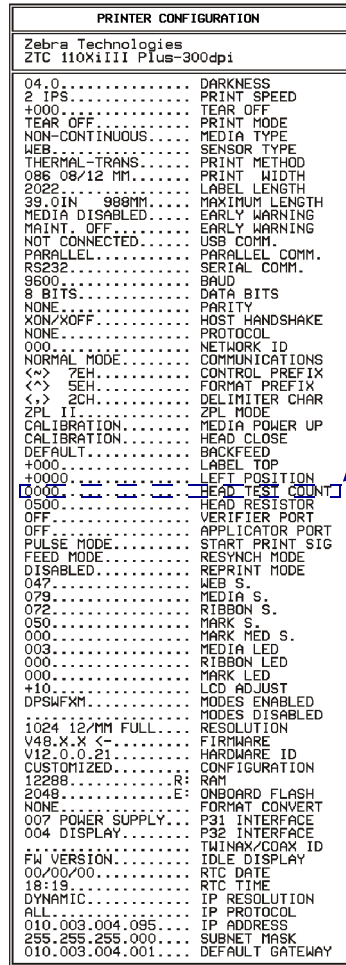
LCD	Possible Cause	Recommended Solution
RIBBON OUT	Thermal Transfer Mode— Ribbon is not loaded or is loaded incorrectly.	Load the ribbon correctly, following directions in <a href="#">Load Ribbon on page 24</a> .
	Thermal Transfer Mode— Ribbon is loaded but the ribbon sensor is not sensing the ribbon.	Adjust the media and ribbon sensors. See <a href="#">Media and Ribbon Sensor Calibration on page 33</a> .
	Direct Thermal Mode— Ribbon is loaded.	Make sure that ribbon is not loaded and that the printer is in Direct Thermal Print Mode. See <a href="#">Selecting Print Method on page 58</a> .
	Direct Thermal Mode— Settings are incorrect.	Make sure the printer driver and software settings are compatible with Direct Thermal Print Mode.
PAPER OUT	Labels are not loaded or are loaded incorrectly.	Load the labels correctly. See <a href="#">Load the Printer on page 20</a> .
	Media Sensor is not adjusted correctly.	Check the position of the media sensors, and adjust if necessary. See <a href="#">Media and Ribbon Sensor Calibration on page 33</a> .
	Printer is set for non-continuous labels but continuous labels are loaded.	<ul style="list-style-type: none"> <li>• Make sure the labels and the Media Type settings match. See <a href="#">Setting Media Type on page 58</a>.</li> <li>• Make sure the printer driver or software settings match the label and Media Type settings.</li> <li>• Calibrate the printer. For more information, see <a href="#">Calibrate the Printer on page 32</a>.</li> </ul>
	The MAX LENGTH setting is set to a value that is shorter than the actual length of the label.	Change the MAX LENGTH setting to a value that is at least 1 in. (25 mm) longer than the labels.
HEAD OPEN	The printhead is not fully closed.	Close the printhead.

Table 10 • LCD Error Messages (Continued)

LCD	Possible Cause	Recommended Solution
HEAD ELEMENT BAD	One or more of the printhead elements failed the printhead element test.	<ul style="list-style-type: none"> <li>If the failed elements affect your printing application, replace the printhead.</li> <li>To override this error, disable the head test count feature on the front panel by defaulting the value to <b>0000</b>.</li> </ul>



**Note** • This error message is possible only if the Head Test Count option is installed. For 110*XIII*Plus printers, look at the configuration label to see if the option is installed.



If the Head Test Option is installed, HEAD TEST COUNT will be listed on the configuration label.

RIBBON IN	Ribbon is loaded, but the printer is set for Direct Thermal mode.	<ul style="list-style-type: none"> <li>To operate in Direct Thermal mode, remove the ribbon.</li> <li>To operate in Thermal Transfer mode, leave the ribbon loaded and change the print method to Thermal Transfer. See <a href="#">Selecting Print Method on page 58</a>.</li> <li>Ensure that the printer driver and/or software settings are correctly set (if applicable).</li> </ul>
-----------	---	---

Table 10 • LCD Error Messages (Continued)









LCD	Possible Cause	Recommended Solution
CUTTER JAMMED	Cutter blade is in the media path.	<p>Turn off the printer power and unplug the printer. Inspect the cutter module for debris and clean as needed following the cleaning instructions in <a href="#">Cutter on page 99</a>.</p> <p> <b>Caution</b> • The cutter blade is sharp. Do not touch or rub the blade with your fingers.</p>
HEAD TOO HOT	The printhead is over temperature.	<p>Printing automatically resumes when the printhead elements cool to an acceptable operating temperature.</p> <p> <b>Caution</b> • The printhead is hot and can cause severe burns. Allow the printhead to cool.</p> <p> <b>Electrostatic Discharge Caution</b> • Observe proper electrostatic safety precautions when handling any static-sensitive components such as circuit boards and printheads.</p>
CLEAN HEAD NOW	The printhead requires cleaning.	<p>Clean the printhead according to the instructions in <a href="#">Printhead and Platen Roller on page 93</a>.</p> <p> <b>Caution</b> • The printhead is hot and can cause severe burns. Allow the printhead to cool.</p> <p> <b>Electrostatic Discharge Caution</b> • Observe proper electrostatic safety precautions when handling any static-sensitive components such as circuit boards and printheads.</p> <p>If the message does not go away after the printhead is cleaned, open the printhead and then close it.</p>






Table 10 • LCD Error Messages (Continued)

LCD	Possible Cause	Recommended Solution
HEAD COLD	 <p><b>Caution</b> • An improperly connected printhead data or power cable can cause this error message. The printhead can still be hot enough to cause severe burns. Allow the printhead to cool.</p> <p>The printhead is under temperature.</p>	<p>Continue printing while the printhead reaches the correct operating temperature. If the error remains, the environment may be too cold for proper printing. Relocate the printer to a warmer area.</p>
	<p>Printhead data cable is not properly connected.</p>	<p><b>Caution</b> • You must turn off the printer before performing this procedure. Failure to do so can damage the printhead.</p> <ol style="list-style-type: none"> <li>1. Turn off (O) the printer.</li> <li>2. Disconnect and reconnect the data cable to the printhead.</li> <li>3. Ensure that the cable connector is fully inserted into the printhead connector.</li> <li>4. Turn on (I) the printer.</li> </ol>
		 <p><b>Electrostatic Discharge Caution</b> • Observe proper electrostatic safety precautions when handling any static-sensitive components such as circuit boards and printheads.</p>
OUT OF MEMORY	<p>There is not enough memory to perform the function shown on the second line of the error message.</p>	<p>Turn the printer off then back on to clear memory, and try to print again. If the error recurs, there is insufficient memory for the label length, downloaded fonts or graphics, and images.</p>
		<p>Ensure that the device, such as Flash memory or PCMCIA card, is installed and not write-protected or full. See <a href="#">Memory Cards on page 85</a>.</p>
		 <p><b>Electrostatic Discharge Caution</b> • Observe proper electrostatic safety precautions when handling any static-sensitive components such as circuit boards and printheads.</p>
		<p>Ensure that the data is not directed to a device that is not installed or available.</p>





## Print Quality Problems

Table 11 identifies problems with print quality, the possible causes, and the recommended solutions.

**Table 11 • Print Quality Problems**

Problem	Possible Cause	Recommended Solution
<b>General print quality issues</b>	You are using an incorrect combination of labels and ribbon for your application.	Consult your authorized Zebra reseller or distributor for information and advice.
	The printer is set at the incorrect print speed.	For optimal print quality, set the print speed to the lowest possible setting for your application via ZPL II, the driver, or the software. See <a href="#">Adjusting Print Speed on page 57</a> .
	The printer is set at an incorrect darkness level.	For optimal print quality, set the darkness to the lowest possible setting for your application via the front panel, the driver, or the software. See <a href="#">Adjusting Print Darkness on page 57</a> .
	The printhead is dirty.	Clean the printhead according to the instructions in <a href="#">Printhead and Platen Roller on page 93</a> .  <b>Caution •</b> The printhead is hot and can cause severe burns. Allow the printhead to cool.   <b>Electrostatic Discharge Caution •</b> Observe proper electrostatic safety precautions when handling any static-sensitive components such as circuit boards and printheads.
<b>There is light printing (or no printing) on the left or right side of the label or the printed image is not sharp.</b>	The toggle pressure needs to be adjusted.	Follow the instructions in <a href="#">Adjust Printhead Pressure and Toggle Position on page 37</a> .   <b>Electrostatic Discharge Caution •</b> Observe proper electrostatic safety precautions when handling any static-sensitive components such as circuit boards and printheads.
<b>Gray lines on blank labels with no consistent pattern</b>	The printhead is dirty.	Clean the printhead according to the instructions in <a href="#">Printhead and Platen Roller on page 93</a> .   <b>Caution •</b> The printhead is hot and can cause severe burns. Allow the printhead to cool.   <b>Electrostatic Discharge Caution •</b> Observe proper electrostatic safety precautions when handling any static-sensitive components such as circuit boards and printheads.

**Table 11 • Print Quality Problems (Continued)**

<b>Problem</b>	<b>Possible Cause</b>	<b>Recommended Solution</b>
<b>Light, consistent vertical lines running through the labels</b>	The printhead or platen roller is dirty.	Clean the printhead and platen roller as instructed in <i>Printhead and Platen Roller</i> on page 93.
		 <b>Caution •</b> The printhead is hot and can cause severe burns. Allow the printhead to cool.   <b>Electrostatic Discharge Caution •</b> Observe proper electrostatic safety precautions when handling any static-sensitive components such as circuit boards and printheads.
<b>Intermittent creases on the left and right edges of the labels</b>	There is too much toggle pressure on the printhead.	Reduce the toggle pressure. See <i>Adjust Printhead Pressure and Toggle Position</i> on page 37.
		 <b>Electrostatic Discharge Caution •</b> Observe proper electrostatic safety precautions when handling any static-sensitive components such as circuit boards and printheads.
<b>Wrinkled Ribbon</b>	The ribbon is not loaded correctly.	Load the ribbon correctly. See <i>Load Ribbon</i> on page 24.
	The darkness setting is incorrect.	Set the darkness to the lowest possible setting for good print quality. See <i>Adjusting Print Darkness</i> on page 57.
	Incorrect printhead pressure or balance.	Set the pressure to the minimum required for good print quality. See <i>Adjust Printhead Pressure and Toggle Position</i> on page 37.
		 <b>Electrostatic Discharge Caution •</b> Observe proper electrostatic safety precautions when handling any static-sensitive components such as circuit boards and printheads.
	The labels are not feeding correctly. They are shifting from side to side.	Make sure that the media guide and media supply guide touch the edge of the media. Adjust the ribbon strip plate.

## Communications Problems

Table 12 identifies problems with communications, the possible causes, and the recommended solutions.

**Table 12 • Communications Problems**

Problem	Possible Cause	Recommended Solution	
<b>A label format was sent to the printer but was not recognized. The DATA light does not flash.</b>	The communication parameters are incorrect.	<p>Check the printer driver or software communications settings (if applicable).</p> <p>If you are using serial communication, check the serial port setting in the front panel menu. See <a href="#">Setting Serial Communications on page 63</a>.</p> <p>Make sure you are using the correct communication cable. See <a href="#">Data Cable Requirements on page 13</a> for the requirements.</p> <p>Using the front panel controls, check the protocol setting. It should be set to NONE. See <a href="#">Setting Protocol on page 64</a>.</p> <p>If a driver is used, check the driver communication settings for your connection.</p>	
	<b>A label format was sent to the printer. Several labels print, then the printer skips, misplaces, misses, or distorts the image on the label.</b>	The host is set to EPP parallel communications.	Change the settings on the computer host to standard parallel communications. See <a href="#">Setting Parallel Communications on page 63</a> .
		The serial communication settings are incorrect.	Ensure that the flow control settings match.
			Check the communication cable length. See <a href="#">Data Cable Requirements on page 13</a> for requirements.
	Check the printer driver or software communications settings (if applicable).		
<b>A label format was sent to the printer but was not recognized. The DATA light flashes but no printing occurs.</b>	The prefix and delimiter characters set in the printer do not match the ones in the label format.	Verify the prefix and delimiter characters. See <a href="#">Format Prefix Character on page 66</a> and <a href="#">Delimiter Character on page 66</a> for the requirements.	
		Incorrect data is being sent to the printer.	<p>Ensure that ZPL is being used.</p> <p>Check the communication settings on the computer. Ensure that they match the printer settings.</p>

**Table 12 • Communications Problems (Continued)**

<b>Problem</b>	<b>Possible Cause</b>	<b>Recommended Solution</b>
<b>The printer fails to calibrate or detect the top of the label.</b>	The printer was not calibrated for the label being used.	Perform the calibration procedure in <i>CANCEL Self Test</i> on page 114.
	The printer is configured for continuous media.	Set the media type to non-continuous media. See <i>Setting Media Type</i> on page 58.
	The driver or software configuration is not set correctly.	Driver or software settings produce ZPL commands that can overwrite the printer configuration. Check the driver or software media-related setting.



## Printer Diagnostics

Self tests give information about the condition of the printer. The most commonly used are the Power-On and the CANCEL self tests.

---

**Caution** • Be sure that the print width is set to match the label width you are using before running any self tests. If the labels are not wide enough, the test may print on the platen roller and damage it.

---

### Power-On Self Test

The Power-On Self Test (POST) is performed automatically each time the printer is turned on. During either test sequence, the front panel LEDs light up and the LCD monitors the progress of the POST. If the printer fails any of these tests, **FILE** shows on the LCD. If this occurs, notify an authorized Zebra reseller.

### Additional Printer Self Tests

These self tests produce sample printouts and provide specific information that help determine the operating conditions for the printer.

Each self test is enabled by pressing a specific front panel key or combination of keys while turning the power On (**I**). Keep the key(s) depressed until the **DATA** light turns off. When the POST is complete, the selected self test starts automatically.



**Note** • When performing a self test, do not send a label format to the printer. For remote hosts, disconnect all data interface cables from the printer. For printers in Peel-Off Mode, remove the labels as they come out of the printer.

## CANCEL Self Test

The CANCEL self test prints a configuration label, which tells you the current settings for the printer.

### To perform the CANCEL Self Test, complete these steps:

1. Turn Off (O) the printer.
2. Press and hold CANCEL while turning the power On (I). Hold CANCEL until the DATA light turns off.  
A printer configuration label prints (Figure 54).

Figure 54 • Printer Configuration Label

PRINTER CONFIGURATION	
Zebra Technologies	
ZTC 170XiIIIPlus-300dpi	
ZBR4952228	
04.0	DARKNESS
2 IPS	PRINT SPEED
+000	TEAR OFF
TEAR OFF	PRINT MODE
NON-CONTINUOUS	MEDIA TYPE
WEB	SENSOR TYPE
DIRECT THERMAL	PRINT METHOD
188 00/12 MM	PRINT WIDTH
1830	LABEL LENGTH
39.0IN 988MM	MAXIMUM LENGTH
MEDIA DISABLED	EARLY WARNING
MAINT OFF	EARLY WARNING
NOT CONNECTED	USB COMM.
BIDIRECTIONAL	PARALLEL COMM.
RS232	SERIAL COMM.
9600	BAUD
8 BITS	DATA BITS
NONE	PARITY
XON/XOFF	HOST HANDSHAKE
NONE	PROTOCOL
000	NETWORK ID
NORMAL MODE	COMMUNICATIONS
<~> ZEH	CONTROL PREFIX
<^> SEH	FORMAT PREFIX
<.> ZCH	DELIMITER CHAR
ZPL II	ZPL MODE
CALIBRATION	MEDIA POWER UP
CALIBRATION	HEAD CLOSE
DEFAULT	BACKFEED
+000	LABEL TOP
+0000	LEFT POSITION
0000	HEAD TEST COUNT
089S	HEAD RESISTOR
OFF	VERIFIER PORT
OFF	APPLICATOR PORT
PULSE MODE	START PRINT SIG
FEED MODE	RESINCH MODE
048	WEB S.
079	MEDIA S.
065	RIBBON S.
089	TAKE LABEL
050	MARK S.
030	MARK MED S.
071	MEDIA LED
036	RIBBON LED
019	MARK LED
+10	LCD ADJUST
DPSWFXM	MODES ENABLED
1884 12/MM	MODES DISABLED
V80.13.0.1	RESOLUTION
V30 XW3 56	FIRMWARE
CUSTOMIZED	HARDWARE ID
NONE	CONFIGURATION
11776K	COMPACT FLASH
NONE	RAM
2048K	B: MEMORY CARD
NONE	E: ONBOARD FLASH
005 DISPLAY	FORMAT CONVERT
007 POWER SUPPLY	P32 INTERFACE
Firmware	P34 INTERFACE
06/25/98	TAINAK/CDAK ID
12:28	IDLE DISPLAY
152615 IN	RTC DATE
152615 IN	RTC TIME
152615 IN	NONRESET CNTR
381538 CM	RESET CNTR1
381538 CM	RESET CNTR2
29110 LABLS	NONRESET CNTR
29110 LABLS	RESET CNTR1
29110 LABLS	RESET CNTR2
AV12440.04-26-2002.33008.0D.VH1	
2004-06-15 14:38:11	TIME STAMP

FIRMWARE IN THIS PRINTER IS COPYRIGHTED

The printer configuration can be changed by performing a calibration procedure. See *Calibrate the Printer* on page 32 for more information.

## PAUSE Self Test

This self test can be used to provide the test labels required when making adjustments to the printer's mechanical assemblies. See the sample printout below.

### To perform a PAUSE self test, complete these steps:

1. Turn Off (O) the printer.
2. Press and hold PAUSE while turning the power On (I). Hold PAUSE until the DATA light turns off.
  - The initial self test prints 15 labels at 2.4 in. (61 mm) per second (1 in. or 25.4 mm per second for the *96XiIIIPlus*), then automatically pauses the printer. When PAUSE is pressed, an additional 15 labels print. [Figure 55](#) shows a sample of the labels.

**Figure 55 • PAUSE Test Label**



- While the printer is paused, pressing CANCEL alters the self test. When PAUSE is pressed, 15 labels print at 6 in. or 152 mm per second (4 in. or 102 mm per second for the *96XiIIIPlus*).
- While the printer is paused, pressing CANCEL again alters the self test a second time. When PAUSE is pressed, 50 labels print at 2.4 in. (61 mm per second). For the *96XiIIIPlus*, printing occurs at 1 in. (25.4 mm) per second.
- While the printer is paused, pressing CANCEL again alters the self test a third time. When PAUSE is pressed, 50 labels print at 6 in. (152 mm) per second. For the *96XiIIIPlus*, printing occurs at 4 in. (102 mm) per second.
- While the printer is paused, pressing CANCEL again alters the self test a fourth time. When PAUSE is pressed, 15 labels print at the printer's maximum speed.
- To exit this self test at any time, press and hold CANCEL.

## FEED Self Test

This test helps you choose the best darkness setting for your printer.

### To perform a FEED self test, complete these steps:

1. Turn Off (O) the printer.
2. Press and hold FEED while turning the power On (I). Hold FEED until the DATA light turns off.

The printer prints a series of labels (Figure 56) at various speeds and at darkness settings higher and lower than the darkness value shown on the configuration label.

Figure 56 • FEED Test Label



3. Inspect the labels and determine which one has the best print quality for your application. The darkness value printed on that label is added to (plus) or subtracted from (minus) the darkness value specified on the configuration label. The resulting numeric value (0 to 30) is the best darkness value for that specific label/ribbon combination and print speed.
4. Enter the corresponding darkness and print speed values into the printer through the front panel.

## FEED and PAUSE Self Test

Performing this self test temporarily resets the printer configuration to the factory default values. These values are active only until power is turned off unless you save them permanently in memory.

### To perform a FEED and PAUSE self test, complete these steps:

1. Turn Off (O) the printer.
2. Press and hold FEED and PAUSE while turning the power On (I). Hold FEED and PAUSE until the DATA light turns off.  
No labels print at the end of this test.

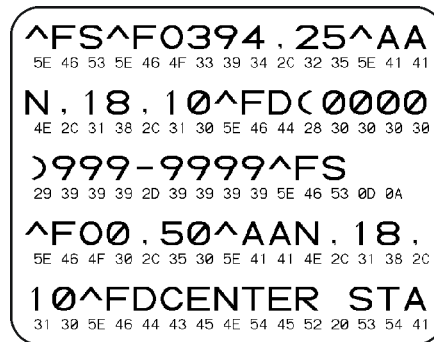
## Communications Diagnostics Test

This test is controlled from the front panel display. See [Setting Communications Mode on page 65](#). [Figure 57](#) shows a typical printout from this test. Turn off the power to exit this self test and return to normal operation.



**Note** • The communications test label prints upside-down.

**Figure 57 • Communications Diagnostics Test Label**



## Additional Printer Diagnostics

Additional diagnostic tests are available for this printer. See the *Maintenance Manual* for information about these additional tests.





---

# Specifications

This appendix provides the features of and specifications for the *XiIIIPlus* printers.

## Contents

Features . . . . .	120
Standard Features . . . . .	120
Print Modes . . . . .	120
Zebra Programming Language (ZPL II®) . . . . .	120
Bar Codes . . . . .	121
Agency Approvals for All Printers . . . . .	121
Compliance for All Printers . . . . .	121
General Specifications . . . . .	122
Electrical Specifications . . . . .	122
Environmental Conditions for Operation and Storage . . . . .	123
Print Specifications by Model . . . . .	124
Ribbon Specifications by Model . . . . .	126
Label Specifications . . . . .	128
110XiIIIPlus Printers . . . . .	128
90XiIIIPlus, 96XiIIIPlus, 140XiIIIPlus, 170XiIIIPlus, and 220XiIIIPlus Printers . . . . .	130

## Features

This section lists the standard and optional features for the printer.

### Standard Features



**Note** • Printer specifications are subject to change without notice.

- Thermal transfer and direct thermal printing
- DRAM 16 MB
- USB 2.0 Port
- Real-time Clock
- Advanced Counter

### Print Modes

Five different print modes can be used, depending on the printer options purchased:

- **Tear-Off Mode:** Labels are produced in strips.
- **Peel-Off Mode:** Labels are dispensed and peeled from the backing as needed.
- **Cutter Mode:** Labels are printed and individually cut.
- **Applicator Mode:** The printer is part of a larger label application system.
- **Rewind Mode:** Labels are rewound internally.

### Zebra Programming Language (ZPL II®)

ZPL features include:

- Downloadable graphics, scalable and bitmap fonts, and label formats
- Object copying between memory areas
- (RAM, memory card, and internal Flash)
- Code page 850 character set
- Data compression
- Automatic virtual input buffer management
- Format inversion
- Mirror image printing
- Four-position field rotation (0°, 90°, 180°, 270°)
- Slew command
- Controlled via mainframe, mini-computer, PC, portable data terminal
- Programmable quantity with print, pause, and cut control
- Communicates in printable ASCII characters
- Error-checking protocol
- Status message to host upon request
- Serialized fields
- In-spec OCR-A and OCR-B
- UPC/EAN
- User-programmable password



## Bar Codes

Types of bar codes include:

- Bar code ratios—2:1, 7:3, 5:2, 3:1
- Codabar (supports ratios of 2:1 up to 3:1)
- CODABLOCK
- Code 11
- Code 39 (supports ratios of 2:1 up to 3:1)
- Code 49 (two-dimensional bar code)
- Code 93
- Code 128 (with subsets A, B, and C and UCC case codes)
- Check digit calculation where applicable
- Data Matrix
- EAN-8, EAN-13, EAN extensions
- ISBT-128
- Industrial 2 of 5
- Interleaved 2 of 5 (supports ratios of 2:1 up to 3:1, Modulus 10 Check Digit)
- LOGMARS
- MaxiCode
- Micro PDF
- MSI
- PDF-417 (2-dimensional bar code)
- PLANET code
- Plessey
- POSTNET
- QR-Code
- RSS code
- Standard 2 of 5
- TLC 39
- UPC-A, UPC-E, UPC extensions
- 

## Agency Approvals for All Printers

Approvals include:

- Binational UL 60950 3rd edition/CSA CAN/CSA-C22.2 No. 60950-00 3rd edition
- IEC 950/EN60950
- EN55022:1998 Class B
- EN55024: 1998
- EN61000-3-2,3
- Canadian ICES-003, Class B
- FCC class B
- Argentina 92/98 Phase 3
- Australia AS/NZS 3548
- R.O.C. CNS 13438

## Compliance for All Printers

- Complies with FCC class B and Canadian Doc. class A rules
- Carries the CE mark of compliance

## General Specifications

<b>Dimensions</b>	<b>90Xi IIIPlus*</b>	<b>96Xi IIIPlus*</b>	<b>110Xi IIIPlus</b>
Height	15.5 in. (393.7 mm)	15.5 in. (393.7 mm)	15.5 in. (393.7 mm)
Width	9.15 in. (232.4 mm)	9.15 in. (232.4 mm)	10.37 in. (263.5 mm)
Depth	19.5 in. (495.3 mm)	19.5 in. (495.3 mm)	19.5 in. (495.3 mm)
Weight without options	50 lb. (22.7 kg)	50 lb. (22.7 kg)	51 lb. (25 kg)

\* The 90XiIIIPlus and 96XiIIIPlus printers are discontinued.

<b>Dimensions</b>	<b>140Xi IIIPlus</b>	<b>170Xi IIIPlus</b>	<b>220Xi IIIPlus</b>
Height	15.5 in. (393.7 mm)	15.5 in. (393.7 mm)	15.5 in. (393.7 mm)
Width	11.5 in. (283.2 mm)	13.15 in. (334.4 mm)	15.65 in. (397.5 mm)
Depth	19.5 in. (495.3 mm)	19.5 in. (495.3 mm)	19.5 in. (495.3 mm)
Weight without options	55 lb. (25 kg)	67 lb. (30.5 kg)	72 lb. (32.7 kg)

## Electrical Specifications

<b>Power</b>	<b>90Xi IIIPlus*</b>	<b>96Xi IIIPlus*</b>	<b>110Xi IIIPlus</b>
General	90 to 264 VAC; 48 to 62 Hz	90 to 264 VAC; 48 to 62 Hz	90 to 264 VAC; 48 to 62 Hz
Power consumption printing PAUSE test at slowest speed	121 W	121 W	180 W
Printer idle	20 W	20 W	20 W

\* The 90XiIIIPlus and 96XiIIIPlus printers are discontinued.

<b>Power</b>	<b>140Xi IIIPlus</b>	<b>170Xi IIIPlus</b>	<b>220Xi IIIPlus</b>
General	90 to 264 VAC; 48 to 62 Hz	90 to 264 VAC; 48 to 62 Hz	90 to 264 VAC; 48 to 62 Hz
Power consumption printing PAUSE test at slowest speed	180 W	220 W	269 W
Printer idle	20 W	20 W	20 W

## Environmental Conditions for Operation and Storage

Environment	Mode	Temperature	Relative Humidity
Operation	Thermal Transfer	41° to 104°F (5° to 40° C)	20 to 85% non-condensing
	Direct Thermal	32° to 104°F (0° to 40° C)	
Storage	Thermal Transfer or Direct Thermal	-40° to 140°F (-40° to 60° C)	5 to 85% non-condensing

## Print Specifications by Model

Refer to the key and the tables that follow for printer specifications.

**Model Specifications Key** This table contains the key for print specifications for the tables that follow.

■	Non-Continuous printing (gap, notch, or hole between labels).
■	Continuous printing (no gap, notch or hole).
◆	Ladder (rotated) orientation.
◇	Picket fence (nonrotated) orientation.

### 110XIIIPlus

Print Specifications	110XIIIPlus 200 dpi	110XIIIPlus 300 dpi	110XIIIPlus 600 dpi
Printhead resolution	203 dots/inch (8 dots/mm)	300 dots/inch (12 dots/mm)	600 dots/inch (24 dots/mm)
Dot size (width×length)	0.0049×0.0049 in. (0.125×0.125 mm)	0.0033×0.0033 in. (0.084×0.084 mm)	0.0016×0.0016 in. (0.042×0.042 mm)
First dot location (measured from inside media edge)	0.10 ± 0.035 in. (2.5 ± 0.89 mm)	0.023 ± 0.035 in. (0.6 ± 0.9 mm)	0.023 ± 0.035 in. (0.6 ± 0.9 mm)
Maximum print width	4.09 in. (104 mm)	4.09 in. (104 mm)	3.2 in. (81 mm)
Selectable print speeds (inches per second)	2.4, 3 through 10	2.4, 3 through 8	1.5, 2 through 4
Maximum Print length	39 in. (991 mm) ■ 150 in. (3810 mm) ■■	39 in. (991 mm) ■ 100 in. (3810 mm) ■■	39 in. (991 mm) ■ 39 in. (991 mm) ■■
Bar code modulus (X) dimension	4.9 mil to 49 mil ◆ 4.9 mil to 49 mil ◇	3.9 mil to 39 mil ◆ 3.33 mil to 33 mil ◇	1.6 mil to 16 mil ◆ 1.6 mil to 16 mil ◇
Thin film printhead with Element Energy Equalizer (E <sup>3</sup> ) <sup>®</sup>	Yes	Yes	Yes

### 90*XiIIIPlus*, 96*XiIIIPlus*, and 140*XiIIIPlus*

Print Specifications	90 <i>XiIIIPlus</i> *	96 <i>XiIIIPlus</i> *	140 <i>XiIIIPlus</i>
Printhead resolution	300 dots/inch (12 dots/mm)	600 dots/inch (24 dots/mm)	203 dots/inch (8 dots/mm)
Dot size (width×length)	0.0033×0.0033 in. (0.084×0.084 mm)	0.0016×0.0016 in. (0.042×0.042 mm)	0.0049×0.0049 in. (0.125×0.125 mm)
First dot location (measured from inside media edge)	0.023 ± 0.035 in. (0.6 ± 0.89 mm)	0.023 ± 0.035 in. (0.6 ± 0.89 mm)	0.10 ± 0.035 in. (2.5 ± 0.89 mm)
Maximum print width	3.4 in. (86 mm)	3.29 in. (81 mm)	5.04 in. (128 mm)
Selectable Print Speeds (inches per second)	2.4, 3, 4, 5, 6, 7, 8	1.5, 2, 3, 4	2.4, 3, 4, 5, 6, 7, 8, 9, 10, 11, 12
Maximum print length	39 in. (991 mm) ■ 100 in. (2540 mm) ■■	39 in. (991 mm) ■ 39 in. (991 mm) ■■	39 in. (991 mm) ■ 150 in. (3810 mm) ■■
Bar code modulus (X) dimension	3.9 mil to 39 mil◆ 3.33 mil to 33 mil◇	1.6 mil to 16 mil◆ 1.6 mil to 16 mil◇	4.9 mil to 49 mil◆ 4.9 mil to 49 mil◇
Thin film printhead with Element Energy Equalizer (E3)	Yes	Yes	Yes

\* The 90*XiIIIPlus* and 96*XiIIIPlus* printers are discontinued.

### 170*XiIIIPlus* and 220*XiIIIPlus*

Print Specifications	170 <i>XiIIIPlus</i> 200 dpi	170 <i>XiIIIPlus</i> 300 dpi	220 <i>XiIIIPlus</i> 200 dpi	220 <i>XiIIIPlus</i> 300 dpi
Printhead resolution	203 dots/inch (8 dots/mm)	300 dots/inch (12 dots/mm)	203 dots/inch (8 dots/mm)	300 dots/inch (12 dots/mm)
Dot size (width×length)	0.0049×0.0049 in. (0.125×0.125 mm)	0.0033×0.0033 in. (0.084×0.084 mm)	0.0049×0.0049 in. (0.125×0.125 mm)	0.0033×0.0033 in. (0.084×0.084 mm)
First dot location (measured from inside media edge)	0.10 ± 0.035 in. (2.5 ± 0.89 mm)	0.10 ± 0.035 in. (2.5 ± 0.89 mm)	0.10 ± 0.035 in. (2.5 ± 0.89 mm)	0.10 ± 0.035 in. (2.5 ± 0.89 mm)
Maximum print width	6.6 in. (168 mm)	6.6 in. (168 mm)	8.5 in. (216 mm)	8.5 in. (216 mm)
Selectable print speeds (in. per second)	2.4, 3, 4, 5, 6, 7, 8, 9, 10, 11, 12	2.4, 3, 4, 5, 6, 7, 8	2.4, 3, 4, 5, 6, 7, 8, 9, 10	2.4, 3, 4, 5, 6
Maximum print length	39 in. (99 cm) ■ 100 in. (381 cm) ■■	39 in. (99 cm) ■ 100 in. (254 cm) ■■	39 in. (99 cm) ■ 150 in. (381 cm) ■■	39 in. (99 cm) ■ 150 in. (381 cm) ■■
Bar code modulus (X) dimension	3.9 mil to 39 mil◆ 3.33 mil to 33 mil◇	3.9 mil to 39 mil◆ 3.33 mil to 33 mil◇	4.9 mil to 49 mil◆ 4.9 mil to 49 mil◇	4.9 mil to 49 mil◆ 4.9 mil to 49 mil◇
Thin film printhead with Element Energy Equalizer (E3)	Yes	Yes	Yes	Yes

## Ribbon Specifications by Model

Refer to the tables that follow for ribbon specifications for your type of printer.



**Note** • Match the ribbon to the label width and printhead width that you are using.

- Ribbon must be wound with the coated side out.
- Ribbon should be at least as wide as the labels to protect the printhead from excessive wear.

### 110*XiIIIPlus*

Ribbon Specifications	110 <i>XiIIIPlus</i> 200 dpi	110 <i>XiIIIPlus</i> 300 dpi	110 <i>XiIIIPlus</i> 600 dpi
Printhead resolution	203 dots/inch (8 dots/mm)	300 dots/inch (12 dots/mm)	600 dots/inch (24 dots/mm)
Ribbon width Minimum	0.79 in. (20 mm)	0.79 in. (20 mm)	0.79 in. (20 mm)
Ribbon width Maximum	4.33 in. (110 mm)	4.33 in. (110 mm)	3.40 in. (87 mm)
Standard length with 2:1 label to ribbon ratio	984 ft (300 m)	984 ft (300 m)	984 ft (300 m)
Standard length with 3:1 label to ribbon ratio	1476 ft (450 m)	1476 ft (450 m)	1476 ft (450 m)
Ribbon core inside diameter	1.0 in. (25.4 mm)	1.0 in. (25.4 mm)	1.0 in. (25.4 mm)
Maximum ribbon roll outside diameter	3.2 in. (81.3 mm)	3.2 in. (81.3 mm)	3.2 in. (81.3 mm)

### 90*XiIIIPlus*, 96*XiIIIPlus*, and 140*XiIIIPlus*

Ribbon Specifications	90 <i>XiIIIPlus</i> *	96 <i>XiIIIPlus</i> *	140 <i>XiIIIPlus</i>
Printhead resolution	300 dots/inch (12 dots/mm)	600 dots/inch (24 dots/mm)	203 dots/inch (8 dots/mm)
Ribbon width Minimum	0.79 in. (20 mm)	0.79 in. (20 mm)	1.57 in. (40 mm)
Ribbon width Maximum	3.40 in. (87 mm)	3.40 in. (87 mm)	5.10 in. (130 mm)
Standard length with 2:1 label to ribbon ratio	984 ft (300 m)	984 ft (300 m)	984 ft (300 m)
Standard length with 3:1 label to ribbon ratio	1476 ft (450 m)	1476 ft (450 m)	1476 ft (450 m)
Ribbon core inside diameter	1.0 in. (25.4 mm)	1.0 in. (25.4 mm)	1.0 in. (25.4 mm)
Maximum ribbon roll outside diameter	3.2 in. (81.3 mm)	3.2 in. (81.3 mm)	3.2 in. (81.3 mm)

\* The 90*XiIIIPlus* and 96*XiIIIPlus* printers are discontinued.

### 170*XiiiPlus* and 220*XiiiPlus*

<b>Ribbon Specifications</b>	<b>170<i>XiiiPlus</i> 200 dpi</b>	<b>170<i>XiiiPlus</i> 300 dpi</b>	<b>220<i>XiiiPlus</i> 200 dpi</b>	<b>220<i>XiiiPlus</i> 300 dpi</b>
Printhead resolution	203 dots/inch (8 dots/mm)	300 dots/inch (12 dots/mm)	203 dots/inch (8 dots/mm)	300 dots/inch (12 dots/mm)
Ribbon width Minimum	2.0 in. (51 mm)	2.0 in. (51 mm)	4.25 in. (108 mm)	4.25 in. (108 mm)
Ribbon width Maximum	6.7 in. (170 mm)	6.7 in. (170 mm)	8.60 in. (220 mm)	8.60 in. (220 mm)
Standard length with 2:1 label to ribbon ratio	984 ft (300 m)	984 ft (300 m)	984 ft (300 m)	984 ft (300 m)
Standard length with 3:1 label to ribbon ratio	1476 ft (450 m)	1476 ft (450 m)	1476 ft (450 m)	1476 ft (450 m)
Ribbon core inside diameter	1.0 in. (25.4 mm)	1.0 in. (25.4 mm)	1.0 in. (25.4 mm)	1.0 in. (25.4 mm)
Maximum ribbon roll outside diameter	3.2 in. (81.3 mm)	3.2 in. (81.3 mm)	3.2 in. (81.3 mm)	3.2 in. (81.3 mm)

## Label Specifications

*XiIIIPlus* printers need the correct size and type of labels for best performance. Refer to the tables that follow for the specifications.

### 110XiIIIPlus Printers



**Important** • Media registration and minimum label length are affected by label type and width, ribbon type, print speed, and printer mode of operation. Performance improves as these factors are optimized. Zebra recommends qualifying any application with thorough testing.

**Label Specification Key** This table contains the key for the label modes, dimensions, and directions:













<b>T</b>	Tear-Off	<input type="checkbox"/>	Minimum
<b>P</b>	Peel-Off	<input checked="" type="checkbox"/>	Maximum
<b>C</b>	Cutter	<input checked="" type="radio"/>	Preferred
<b>R</b>	Rewind		

Label Specifications	110XiIIIPlus 200 dpi	110XiIIIPlus 300 dpi	110XiIIIPlus 600 dpi
Minimum label length	0.7 in. (18 mm) <b>T</b>	0.7 in. (18 mm) <b>T</b>	0.7 in. (18 mm) <b>T</b>
	0.5 in. (13 mm) <b>P</b>	0.5 in. (13 mm) <b>P</b>	0.5 in. (13 mm) <b>P</b>
	1.5 in. (38 mm) <b>C</b>	1.5 in. (38 mm) <b>C</b>	1.5 in. (38 mm) <b>C</b>
	0.25 in. (6 mm) <b>R</b>	0.25 in. (6 mm) <b>R</b>	0.25 in. (6 mm) <b>R</b>
Total media width (label + backing, if any)	0.79 in. (20 mm) <input type="checkbox"/>	0.79 in. (20 mm) <input type="checkbox"/>	0.79 in. (20 mm) <input type="checkbox"/>
	4.5 in. (114 mm) <input checked="" type="checkbox"/>	4.5 in. (114 mm) <input checked="" type="checkbox"/>	4.5 in. (114 mm) <input checked="" type="checkbox"/>
Total thickness (includes backing, if any)	0.003 in. (0.076 mm) <input type="checkbox"/>	0.003 in. (0.076 mm) <input type="checkbox"/>	0.003 in. (0.076 mm) <input type="checkbox"/>
	0.012 in. (0.305 mm) <input checked="" type="checkbox"/>	0.012 in. (0.305 mm) <input checked="" type="checkbox"/>	0.012 in. (0.305 mm) <input checked="" type="checkbox"/>
Cutter maximum full-width media thickness	0.009 in. (0.23 mm)	0.009 in. (0.23 mm)	0.009 in. (0.23 mm)
Roll media core inside diameter	3 in. (76 mm)	3 in. (76 mm)	3 in. (76 mm)
Maximum roll diameter on 3 in. (76 mm) core	8.0 in. (203 mm)	8.0 in. (203 mm)	8.0 in. (203 mm)
Interlabel gap	0.079 in. (2 mm) <input type="checkbox"/>	0.079 in. (2 mm) <input type="checkbox"/>	0.079 in. (2 mm) <input type="checkbox"/>
	0.118 in. (3 mm) <input checked="" type="checkbox"/>	0.118 in. (3 mm) <input checked="" type="checkbox"/>	0.118 in. (3 mm) <input checked="" type="checkbox"/>
Maximum interlabel gap	No more than the calibrated length of the label.	No more than the calibrated length of the label.	No more than the calibrated length of the label.



<b>Label Specifications</b>	<b>110XIIIPlus 200 dpi</b>	<b>110XIIIPlus 300 dpi</b>	<b>110XIIIPlus 600 dpi</b>
Maximum internal fanfold media pack size (label + backing) L × W×H	8.0×4.5×4.5 in. (20×114×114 mm)	8.0×5.5×4.5 in. (203×40×114 mm)	8.0×7.1×4.5 in. (203×180×114 mm)
Ticket/tag sensing notch L × W	0.12×0.25 in. (3×6 mm)	0.12×0.25 in. (3×6 mm)	0.12×0.25 in. (3×6 mm)
Ticket/tag sensing hole diameter	0.125 in. (3 mm)	0.125 in. (3 mm)	0.125 in. (3 mm)
Label registration tolerance (vertical)	± 0.06 in. (± 1.5 mm)	± 0.06 in. (± 1.5 mm)	± 0.06 in. (± 1.5 mm)
Label registration tolerance (horizontal)	± 0.06 in. (± 1.5 mm)	± 0.06 in. (± 1.5 mm)	± 0.06 in. (± 1.5 mm)

### **110XIIIPlus Black Mark Sensing Only**

<b>Label Specifications</b>	<b>110XIIIPlus 200 dpi</b>	<b>110XIIIPlus 300 dpi</b>	<b>110XIIIPlus 600 dpi</b>
Mark length (measuring parallel to label/tag edge)	0.12 in. (3 mm)  0.43 in. (11 mm) 	0.12 in. (3 mm)  0.43 in. (11 mm) 	0.12 in. (3 mm)  0.43 in. (11 mm) 
Mark width (measuring to perpendicular label/tag edge)	0.43 in. (11 mm)  Full media width 	0.43 in. (11 mm)  Full media width 	0.43 in. (11 mm)  Full media width 
Mark location	within 0.040 in. (1 mm) of the inside media edge	within 0.040 in. (1 mm) of the inside media edge	within 0.040 in. (1 mm) of the inside media edge
Mark density in Optical Density Unit (ODU)	>1.0	>1.0	>1.0

## 90XIIIPlus, 96XIIIPlus, 140XIIIPlus, 170XIIIPlus, and 220XIIIPlus Printers



**Important** • Media registration and minimum label length are affected by label type and width, ribbon type, print speed, and printer mode of operation. Performance improves as these factors are optimized. Zebra recommends qualifying any application with thorough testing.

**Label Specification Key** This table contains the key for the label modes, dimensions, and directions:

<b>T</b>	Tear-Off	<input type="checkbox"/>	Minimum
<b>P</b>	Peel-Off	<input checked="" type="checkbox"/>	Maximum
<b>C</b>	Cutter	<input checked="" type="radio"/>	Preferred
<b>R</b>	Rewind		

### 90XIIIPlus and 96XIIIPlus

Label Specifications	90XIIIPlus*	96XIIIPlus*
Minimum label length	0.7 in. (18 mm) <b>T</b>	0.7 in. (18 mm) <b>T</b>
	0.5 in. (13 mm) <b>P</b>	0.5 in. (13 mm) <b>P</b>
	1.5 in. (38 mm) <b>C</b>	1.5 in. (38 mm) <b>C</b>
	0.25 in. (6 mm) <b>R</b>	0.25 in. (6 mm) <b>R</b>
Total media width (label + backing, if any)	0.79 in. (20 mm) <input type="checkbox"/>	0.79 in. (20 mm) <input type="checkbox"/>
	3.54 in. (90 mm) <input checked="" type="checkbox"/>	3.54 in. (90 mm) <input checked="" type="checkbox"/>
Total thickness (includes backing, if any)	0.003 in. (0.076 mm) <input type="checkbox"/>	0.003 in. (0.076 mm) <input type="checkbox"/>
	0.012 in. (0.305 mm) <input checked="" type="checkbox"/>	0.012 in. (0.305 mm) <input checked="" type="checkbox"/>
Cutter maximum full-width media thickness	0.014 in. (0.35 mm)	0.014 in. (0.35 mm)
Roll media core inside diameter	3 in. (76 mm)	3 in. (76 mm)
Maximum roll diameter	8.0 in. (203 mm)	8.0 in. (203 mm)
Interlabel gap	0.079 in. (2 mm) <input type="checkbox"/>	0.079 in. (2 mm) <input type="checkbox"/>
	0.118 in. (3 mm) <input checked="" type="checkbox"/>	0.118 in. (3 mm) <input checked="" type="checkbox"/>
Maximum interlabel gap	No more than the calibrated length of the label.	No more than the calibrated length of the label.
Maximum internal fanfold media pack size (label + backing) L×W×H	8.0×4.5×4.5 in. (203×114×114 mm)	8.0×4.5×4.5 in. (203×114×114 mm)

\* The 90XIIIPlus and 96XIIIPlus printers are discontinued.

<b>Label Specifications</b>	<b>90XiIIIPlus*</b>	<b>96XiIIIPlus*</b>
Ticket/tag sensing notch L×W	0.12×0.25 in. (3×6 mm)	0.12×0.25 in. (3×6 mm)
Ticket/tag sensing hole diameter	0.125 in. (3 mm)	0.125 in. (3 mm)
Effective leading edge registration accuracy (vertical)	± 0.060 in. (± 1.5 mm)	± 0.060 in. (± 1.5 mm)
Effective leading edge registration accuracy (horizontal)	± 0.060 in. (± 1.5 mm)	± 0.060 in. (± 1.5 mm)

\* The 90XiIIIPlus and 96XiIIIPlus printers are discontinued.

### **90XiIIIPlus and 96XiIIIPlus Black Mark Sensing Only**

<b>Label Specifications</b>	<b>90XiIIIPlus*</b>	<b>96XiIIIPlus*</b>
Mark length (measuring parallel to label or tag edge)	0.12 in. (3 mm) □ 0.43 in. (11 mm) ■	0.12 in. (3 mm) □ 0.43 in. (11 mm) ■
Mark width (measuring to perpendicular label/tag edge)	0.43 in. (11 mm) Full media width	0.43 in. (11 mm) Full media width
Mark location	Marks must be located within 0.040 in. (1 mm) of the inside media edge.	Marks must be located within 0.040 in. (1 mm) of the inside media edge.
Mark density in Optical Density Unit (ODU)	>1.0	>1.0

\* The 90XiIIIPlus and 96XiIIIPlus printers are discontinued.

### **140XiIIIPlus, 170XiIIIPlus, and 220XiIIIPlus**

<b>Label Specifications</b>	<b>140XiIIIPlus</b>	<b>170XiIIIPlus</b>	<b>220XiIIIPlus</b>
Minimum label length	0.7 in. (18 mm) <b>T</b>	0.7 in. (18 mm) <b>T</b>	0.7 in. (18 mm) <b>T</b>
	0.5 in. (13 mm) <b>P</b>	0.5 in. (13 mm) <b>P</b>	0.5 in. (13 mm) <b>P</b>
	1.5 in. (38 mm) <b>C</b>	1.5 in. (38 mm) <b>C</b>	1.5 in. (38 mm) <b>C</b>
	0.25 in. (6 mm) <b>R</b>	0.25 in. (6 mm) <b>R</b>	0.25 in. (6 mm) <b>R</b>
Total media width (label + backing, if any)	1.57 in. (40 mm) □ 5.51 in. (140 mm) ■	2.00 in. (51 mm) □ 7.1 in. (180 mm) ■	4.25 in. (108 mm) □ 8.80 in. (224 mm) ■
	Total thickness (includes backing, if any)	0.003 in. (0.076 mm) □ 0.012 in. (0.305 mm) ■	0.003 in. (0.076 mm) □ 0.012 in. (0.305 mm) ■
Cutter maximum full- width media thickness	0.009 in. (0.23 mm)	0.007 in. (0.18 mm)	0.005 in. (0.14 mm)
Roll media core inside diameter	3 in. (76 mm)	3 in. (76 mm)	3 in. (76 mm)

**Specifications**  
Label Specifications

<b>Label Specifications</b>	<b>140XIIIPlus</b>	<b>170XIIIPlus</b>	<b>220XIIIPlus</b>
Maximum roll diameter	8.0 in. (203 mm)	8.0 in. (203 mm)	8.0 in. (203 mm)
Interlabel gap	0.079 in. (2 mm) □ 0.118 in. (3 mm) ●	0.079 in. (2 mm) □ 0.118 in. (3 mm) ●	0.079 in. (2 mm) □ 0.118 in. (3 mm) ●
Maximum interlabel gap	No more than the calibrated length of the label.	No more than the calibrated length of the label.	No more than the calibrated length of the label.
Maximum internal fanfold media pack size (label + backing) L×W×H	8.0×5.5×4.5 in. (203×114×114 mm)	8.0×7.1×4.5 in. (203×114×114 mm)	8.0×8.8×4.5 in. (203×114×114 mm)
Ticket/tag sensing notch L×W	0.12×0.25 in. (3×6 mm)	0.12×0.25 in. (3×6 mm)	0.12×0.25 in. (3×6 mm)
Ticket/tag sensing hole diameter	0.125 in. (3 mm)	0.125 in. (3 mm)	0.125 in. (3 mm)
Effective leading edge registration accuracy (vertical)	± 0.070 in. (± 1.8 mm)	± 0.070 in. (± 1.8 mm)	± 0.060 in. (± 1.5 mm)
Effective leading edge registration accuracy (horizontal)	± 0.070 in. (± 1.8 mm)	± 0.070 in. (± 1.8 mm)	± 0.060 in. (± 1.5 mm)

**140XIIIPlus, 170XIIIPlus, and 220XIIIPlus Black Mark Sensing Only**

<b>Label Specifications</b>	<b>140XIIIPlus</b>	<b>170XIIIPlus</b>	<b>220XIIIPlus</b>
Mark length (measuring parallel to label or tag edge)	0.12 in. (3 mm) □ 0.43 in. (11 mm) ■	0.12 in. (3 mm) □ 0.43 in. (11 mm) ■	0.12 in. (3 mm) □ 0.43 in. (11 mm) ■
Mark width (measuring to perpendicular label or tag edge)	0.43 in. (11 mm) □ Full media width ■	0.43 in. (11 mm) □ Full media width ■	0.43 in. (11 mm) □ Full media width ■
Mark location	Marks must be located within 0.040 in. (1 mm) of the inside media edge.	Marks must be located within 0.040 in. (1 mm) of the inside media edge.	Marks must be located within 0.040 in. (1 mm) of the inside media edge.
Mark density in Optical Density Unit (ODU)	>1.0	>1.0	>1.0

---

# Index



## Numerics

### 110*XiIIIPlus*

- black mark specifications, 129
- general specifications, 124
- label specifications, 128
- ribbon specifications, 126

### 140*XiIIIPlus*

- black mark specifications, 132
- general specifications, 125
- label specifications, 131
- ribbon specifications, 126

### 170*XiIIIPlus*

- black mark specifications, 132
- general specifications, 125
- label specifications, 131
- ribbon specifications, 127

### 220*XiIIIPlus*

- black mark specifications, 132
- general specifications, 125
- label specifications, 131
- ribbon specifications, 127

### 90*XiIIIPlus*

- black mark specifications, 131
- general specifications, 125
- label specifications, 130
- ribbon specifications, 126

### 96*XiIIIPlus*

- black mark specifications, 131
- general specifications, 125
- label specifications, 130
- ribbon specifications, 126

## A

- active print server, 31
- adhesive test for ribbon coating, 17
- adjustments
  - LCD, 72
  - left position, 68
  - lower media sensor, 36
  - print darkness, 57
  - print speed, 57
  - printhead toggle pressure, 37
  - sensors, 33
  - tear-off position, 57
  - upper media sensor, 35
- agency approvals, 121
- alert setting, 60
- applicator port setting, 70
- authentication type, 74
- auto-calibration, 32

## B

- backfeed setting, 67
- backing removal, 51
- bar codes
  - list available codes, 61
  - types of codes, 121
- baud setting, 64
- before you begin setup, 8
- bitmap scaling factor, 72
- black mark media, 15
  - setting sensor type, 58
  - when to clean sensor, 92

**C**

- cable requirements, 13
- calibration
  - media and ribbon sensor, 33, 63
  - methods, 32
  - setting for head close, 67
  - setting for media power up, 67
- Canadian DOC compliance, vi
- CANCEL self test, 114
- CHECK RIBBON light on, 33
- checklist
  - before you begin, 8
  - troubleshooting, 104
- CLEAN HEAD NOW message, 107
- cleaning
  - cutter, 99
  - exterior of printer, 92
  - interior, 93
  - printhead and platen roller, 93
  - recommended schedule, 92
  - sensors, 95
  - snap plate, 97
- communication interfaces
  - overview and location, 12
  - types of connections, 75
- communications diagnostics test
  - sample printout, 117
  - selecting, 65
- communications problems, 111
- CompactFlash card
  - format, 61
  - installation, 88
- compliance, 121
- components, 6
- configuration
  - enter setup mode, 54
  - exit setup mode, 55
- configuration label
  - print during CANCEL self test, 114
  - printing after loading printer, 29
  - printing using List Setup command, 61
- connect printer to power source, 11
- contact information, xviii
- continuous media, 15
  - setting media type, 58
- control prefix setting, 65
- creases on labels, 110
- create ribbon leader, 24

- customer support, xviii

- cutter
  - cleaning, 99
  - CUTTER JAMMED message, 107
  - set up Cutter Mode, 44
  - set up Rewind Mode with cutter, 49
  - when to clean, 92

**D**

- darkness setting, 57
- data bits setting, 64
- data cable requirements, 13
- data connections
  - RS-232, 80
  - RS-422/RS-485, 82
- data ports, 75
- data source
  - communication interface location, 12
  - communication interfaces, 75
  - provide connections, 10
- date setting, 72
- DB-9 to DB-25 connection, 81
- default gateway, 74
- default password, 56
- delimiter character setting, 66
- diagnostics, 113
- direct connection to a computer, 80
- direct thermal mode
  - media scratch test, 16
- direct thermal transfer mode
  - setting, 58
- disable password protection, 56
- display language selection, 72
- dpi format conversion, 72

**E**

- Early Warning setting, 60
- electrical noise, 13
- electrical specifications, 122
- encryption settings, 74
- enter setup mode, 54
- environmental specifications, 123
- error messages, 105
- ESSID setting, 74
- exit setup mode, 55
- exterior cleaning, 92

**F**

- fanfold media loading, 22
- FCC compliance, v
- features, 120
- FEED and PAUSE self test, 117
- FEED self test, 116
- Flash memory, 62
- fonts
  - listing, 61
  - using CompactFlash card, 88
  - using PCMCIA memory card, 86
- format convert setting, 72
- format list, 61
- format memory card, 61
- format prefix setting, 66
- front panel
  - buttons, 4
  - enter setup mode, 54
  - exit setup mode, 55
  - illustration, 3
  - LCD error messages, 105
  - LCD parameters, 57
  - lights, 5
- fuse replacement, 100

**G**

- gleaning, 73
- gray lines on labels, 109

**H**

- HEAD COLD message, 108
- HEAD ELEMENT BAD message, 106
- HEAD OPEN message, 105
- HEAD TOO HOT message, 107
- host handshake setting, 64

**I**

- idle display setting, 72
- image not sharp, 109
- images list, 61
- initialize Flash memory, 62
- inspect the printer, 9
- interior cleaning, 93
- international safety organization marks, 11
- IP settings
  - default gateway, 74
  - IP address, 73
  - protocol, 73
  - subnet mask, 73

**L**

- label backing removal, 51
- label length maximum setting, 59
- label specifications by model, 128
- label top
  - printer cannot detect, 112
  - setting, 68
- label-available sensor
  - location, 95
  - when to clean, 92
- labels did not print, 111
- labels per roll setting, 60
- language selection, 72
- LCD messages
  - adjust LCD settings, 72
  - error messages, 105
  - language selection, 72
  - setup mode, 57
- liability, vi
- light or no printing, 109
- lights on front panel, 5
- list settings
  - all settings, 61
  - bar codes, 61
  - fonts, 61
  - formats, 61
  - images, 61
  - setup, 61
- load the printer
  - load fanfold media, 22
  - load roll media, 20
  - ribbon, 24
- long calibration, 32
- lower media sensor adjustment, 36

**M**

- MAC address, 74
- mark LED setting, 71
- Mark Med S. setting, 71
- maximum label length setting, 59
- media
  - black mark media, 15
  - label specifications by model, 128
  - load fanfold media, 22
  - load roll media, 20
  - media LED setting, 71
  - media low warning, 60
  - non-continuous media, 15
  - setting labels per roll, 60
  - setting media type, 58
  - types of media, 14

- media and ribbon sensor calibration
  - procedure, 33, 63
  - when to perform, 33
- media path cleaning, 92
- media power up setting, 67
- Media S. setting, 71
- media scratch test, 16
- media sensor
  - adjustment, 35
  - location, 96
  - print media sensor profile, 62
  - sensor sensitivity calibration, 32
- media types
  - continuous media, 15
- memory card installation
  - CompactFlash card, 88
  - PCMCIA memory card, 86
- modem connection, 81

## N

- network configuration label
  - printing, 31
- network ID setting, 65
- non-continuous media
  - setting media type, 58

## O

- operating conditions, 10
- OUT OF MEMORY message, 108

## P

- PAPER OUT message, 105
- parallel port
  - location, 12
  - pin configuration, 76
  - setting parallel communications, 63
  - settings, 76
- parity setting, 64
- passwords
  - default, 56
  - disable, 56
  - entering, 56
- PAUSE self test, 115
- PCMCIA card
  - format, 61
  - installing memory card, 86
- peel-off bar cleaning, 92
- Peel-Off Mode, 42

- pin configuration
  - parallel port, 76
  - serial port, 79
- platen roller
  - cleaning, 93
  - when to clean, 92
- ports, 75
- power cord specifications, 11
- power source, 11
- Power-On Self Test (POST), 113
- print configuration label
  - CANCEL self test, 114
  - List Setup command, 61
  - when printer is loaded, 29
- print darkness setting, 57
- print modes
  - Cutter Mode, 44
  - features, 120
  - Peel-Off Mode, 42
  - Rewind Mode, 46
  - Rewind Mode with Cutter option, 49
  - selecting, 41, 58
  - Tear-Off Mode, 20
- print network configuration label, 31
- print quality
  - effect of printhead toggle pressure, 37
  - troubleshooting problems, 109
- print server settings
  - default gateway, 74
  - IP address, 73
  - IP protocol, 73
  - subnet mask, 73
- print speed setting, 57
- print width setting, 59
- printer components, 6
- printer diagnostics, 113
- printer operation, 19
- printer self tests, 113
- printer settings
  - applicator port, 70
  - backfeed, 67
  - baud, 64
  - configuration label as baseline, 29
  - control prefix, 65
  - data bits, 64
  - date, 72
  - delimiter character, 66
  - Early Warning, 60
  - format convert, 72
  - format prefix, 66



## printer settings (continued)

- head resistor, 70
- head test count, 69
- host handshake, 64
- idle display, 72
- IP settings, 73
- label top, 68
- labels per roll, 60
- language, 72
- LCD, 72
- left position, 68
- maximum label length, 59
- media type, 58
- network configuration label as baseline, 31
- network ID, 65
- parallel communications, 63
- parity, 64
- passwords, 56
- print darkness, 57
- print method, 58
- print server settings, 73
- print speed, 57
- print width, 59
- protocol, 64
- resynch mode, 71
- ribbon length, 60
- saving, 55
- sensor type, 58
- serial communications, 63
- setting through front panel, 54
- start print signal, 71
- time, 72
- verifier port, 70
- ZPL mode, 66

printer setup

- before you begin, 8
- load the printer, 20

printhead

- cleaning, 93
- early warning message, 60
- head close setting, 67
- head resistor value setting, 70
- head test count setting, 69
- pressure adjustment, 37
- when to clean, 92

product improvements, v

proprietary statement, v

protocol setting, 64

**R**

- related documents, xx
- relative humidity requirements, 10
- remove backing from rewind spindle, 51
- remove used ribbon, 28
- replace fuse, 100
- report shipping damage, 9
- reset network option, 74
- reship the printer, 9
- resynch mode setting, 71
- Rewind Mode, 46
- Rewind Mode with Cutter option, 49
- rewind plate installation, 46
- rewind spindle, 51
- RFID-ready printers
  - cleaning the snap plate, 98
  - RFID-ready option, 40
- ribbon
  - adhesive test, 17
  - CHECK RIBBON light on, 33
  - create ribbon leader, 24
  - determining coated side, 16
  - load, 24
  - removal, 28
  - RIBBON IN message, 106
  - ribbon LED setting, 71
  - ribbon low warning, 60
  - Ribbon Out message, 105
  - scratch test, 17
  - setting length, 60
  - specifications, 126
  - troubleshooting wrinkles, 110
  - when to use, 16
- Ribbon S. setting, 71
- ribbon sensor
  - calibration procedure, 63
  - cleaning, 95
  - location, 95
  - sensitivity calibration, 32
  - when to clean, 92
- roll media loading, 20
- routine maintenance, 91
- RS-232 interface connections, 80
- RS-422/RS-485 interconnections, 82
- RTC (Real-time clock) setting
  - date, 72
  - time, 72

**S**

schedule for cleaning, 92  
 scratch test  
     media type, 16  
     ribbon coated side, 17  
 select a printer site, 10  
 selecting a print mode, 41  
 self tests  
     CANCEL, 114  
     FEED, 116  
     FEED and PAUSE, 117  
     how to perform additional tests, 113  
     PAUSE, 115  
     Power-On Self Test (POST), 113  
 Sensor Profile calibration  
     description, 32  
     procedure, 62  
 sensors  
     adjusting, 33  
     cleaning, 95  
     label-available sensor location, 95  
     lower media sensor adjustment, 36  
     media and ribbon sensor calibration, 33  
     ribbon sensor location, 95  
     setting sensor type, 58  
     transmissive (media) sensor adjustment, 35  
     transmissive (media) sensor location, 96  
     upper media sensor adjustment, 35  
 serial port  
     location, 12  
     pin configuration, 79  
     setting serial communications, 63  
     settings, 78  
 setup checklist, 8  
 setup mode  
     enter setup mode, 54  
     exit setup mode, 55  
     LCD messages, 57  
 shipping  
     report damage, 9  
     reship the printer, 9  
 short calibration, 32  
 site requirements, 10  
 snap plate  
     cleaning in RFID-ready printer, 98  
     cleaning in standard printer, 97  
     when to clean, 92  
 spacing requirements, 10

specifications  
     by model number, 124  
     electrical, 122  
     environmental, 123  
     general, 122  
     power cord, 11  
     ribbon, 126  
 standard data ports, 75  
 standard features, 120  
 start print signal setting, 71  
 store the printer, 9  
 subnet mask, 73  
 support, xviii  
 surface for the printer, 10

**T**

take label setting, 71  
 Tear-Off Mode  
     load the printer, 20  
     tear-off position adjustment, 57  
 Tear-Off mode  
     tear-off bar cleaning, 92  
 temperature requirements, 10  
 thermal transfer mode  
     load ribbon, 24  
     media scratch test, 16  
     setting, 58  
 time setting, 72  
 toggle pressure adjustment, 37  
 top of label  
     printer cannot detect, 112  
     setting, 68  
 transmissive (media) sensor  
     adjustment, 35  
     location, 96  
     when to clean, 92  
 troubleshooting  
     CHECK RIBBON light on, 33  
     checklist, 104  
     communications problems, 111  
     LCD error messages, 105  
     non-continuous labels treated as continuous, 33  
     print quality problems, 109  
     printer diagnostics, 113  
     wrinkled ribbon, 110  
 types of media  
     black mark media, 15  
     continuous media, 15  
     non-continuous media, 15

**U**

- unpack the printer, 9
- upper media sensor adjustment, 35
- USB 2.0 port
  - location, 12
  - settings, 83

**V**

- verifier port setting, 70
- vertical lines on labels, 110

**W**

- web media, 15
  - setting sensor type, 58
- Web S. setting, 71

**Wireless Print Server settings**

- authentication type, 74
- default gateway, 74
- encryption, 74
- ESSID, 74
- IP address, 73
- IP protocol, 73
- MAC address, 74
- reset network, 74
- subnet mask, 73
- wrinkled ribbon, 110

**X**

- XML-enabled printing, 40

**Z**

- Zebra support, xviii
- ZPL Programming Language
  - features, 120
  - ZPL mode setting, 66



Notes •

Lined area for taking notes.

To provide feedback on this document, please send your comments to [techpubs@zebra.com](mailto:techpubs@zebra.com), or write your comments on this page and fax to the following:  
Fax: 1.847.821.1795    Attention: TechPubs — CTC





**Zebra Technologies Corporation**

333 Corporate Woods Parkway  
Vernon Hills, Illinois 60061.3109 U.S.A.  
Telephone: +1 847.634.6700  
Facsimile: +1 847.913.8766

**Zebra Technologies Europe Limited**

Zebra House  
The Valley Centre, Gordon Road  
High Wycombe  
Buckinghamshire HP13 6EQ, UK  
Telephone: +44 (0) 1494 472872  
Facsimile: +44 (0) 1494 450103

Customer Order # 13383L-001  
Manufacturer Part # 13383L-001 Rev. 1